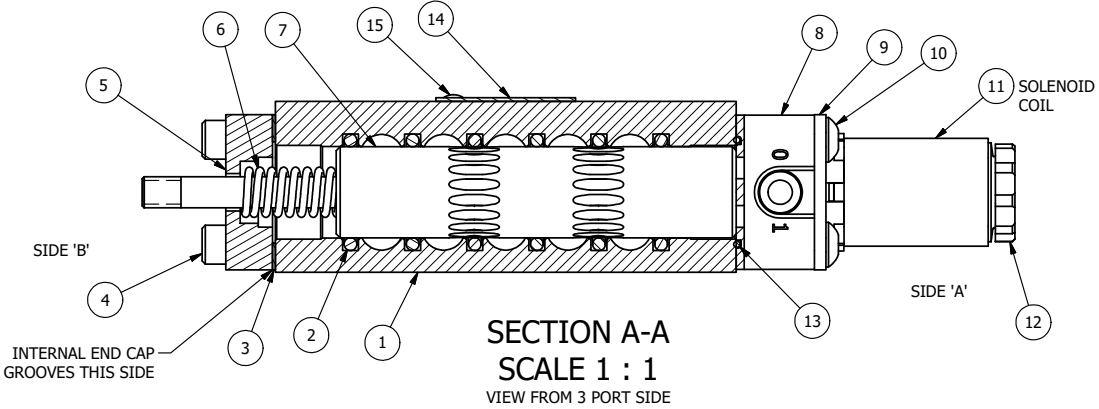
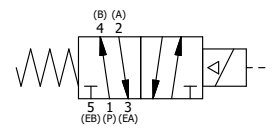


NOTES:
 1) ALWAYS GIVE VALVE MODEL AND PART NUMBER WHEN ORDERING PARTS.
 2) FOR DIFFERENT VOLTAGES OTHER THAN 120/60, REPLACE SOLENOID COIL WITH COIL LISTED IN TABLE BELOW.



| FLG | QTY | PART NO | DESCRIPTION |
|-----|-----|-----------|---|
| 15 | 2 | V-212 | SCREW, #2 X 3/16 DRIVE, TYPE U, OVAL HEAD, STAINLESS STEEL |
| 14 | 1 | AN-114 | NAMEPLATE, BLANK, FOR VALVES WITH SPRINGS OR DETENTS |
| 13 | 1 | EMG3 | GASKET - END MOUNT SOLENOID, BUNA-N, 1/4" & 3/8" VALVES |
| 12 | 1 | V-556 | NUT, SOLENOID, TOP EXHAUST, KNURLED |
| 11 | 1 | V-551-1 | THERMOPLASTIC ENCAPSULATED COIL 120V 50/60HZ, NASS P/N # 108-030-0455 |
| 10 | 4 | V-584 | SCREW, 10-24 X 1, BUTTON HEAD SOCKET CAP WITH MICROSPHERE APPLIED TO THREADS. |
| 9 | 1 | SEC3-7 | PLATE, RE-INFORCEMENT, SOLENOID, STAMPED, 304 STAINLESS |
| 8 | 1 | V-550-1 | SOL OPER, END MOUNT, NON-LOCKING O/RIDE |
| 7 | 1 | AY-S3-SIK | ASSEMBLY - SPOOL INDICATOR, THREADED, 1/4" & 3/8" VALVE |
| 6 | 1 | CS3 | SPRING - RETURN, (EXCEPT HO, KO & PO) 1/4" & 3/8" VALVES |
| 5 | 1 | PEC3-5 | END CAP, INDICATOR PIN, WIPER CAVITY, 6061-T6, 1/4" & 3/8" VALVE |
| 4 | 4 | V-38 | SCREW, 10-24 X 3/4, SOCKET HEAD CAP |
| 3 | 1 | ECG3 | GASKET - END CAP, 1/4" & 3/8" VALVE |
| 2 | 6 | V-39 | O-RING, VITON, STD BODY, 1/4" & 3/8" VALVES |
| 1 | 1 | B2-1E | BODY - SOLID, BUTTON BLEEDER, ANODIZED, 1/4" SIDE PORT VALVE |

| | | | | |
|---|----------------|--|----------------|--|
| LIMITS ON DIMENSIONS UNLESS OTHERWISE SPECIFIED | | 2-PL DECIMAL ± .01 3-PL DECIMAL ± .005 FRACTIONAL ± 1/64 ANGULAR ± 1/2° | | AAA PRODUCTS INTERNATIONAL 7114 Harry Hines Blvd Dallas, TX 75235 |
| DRAWN: RMckenna | DATE: 9/9/2019 | CHECKED: KWaite | DATE: 9/9/2019 | |
| SCALE: 1 : 1 | SHEET: 1 OF 1 | RELEASED: HWormack | DATE: 9/9/2019 | |
| TITLE: 1/4" SIDE PORT, SNGL SOL, 2 POS, SPRING RTRN, 120/60, THREADED INDCTR PIN, EXT PILOT | | | PART NO.: | ESO2KZ |
| | | | | REV.: |



| COIL VOLTAGES | |
|---------------|--------------|
| PART NO | REPLACE COIL |
| ESO2KZ 12VDC | V-551-2 |
| ESO2KZ 24VDC | V-551-3 |
| ESO2KZ 240/60 | V-551-4 |

THE INFORMATION CONTAINED WITHIN THIS DOCUMENT IS PROPRIETARY TO AAA PRODUCTS AND MAY NOT BE DISCLOSED WITHOUT PRIOR WRITTEN CONSENT

P:\Engineering\Product Valve Assembly\Standard ISO\DWG\ESO2KZ.dwg