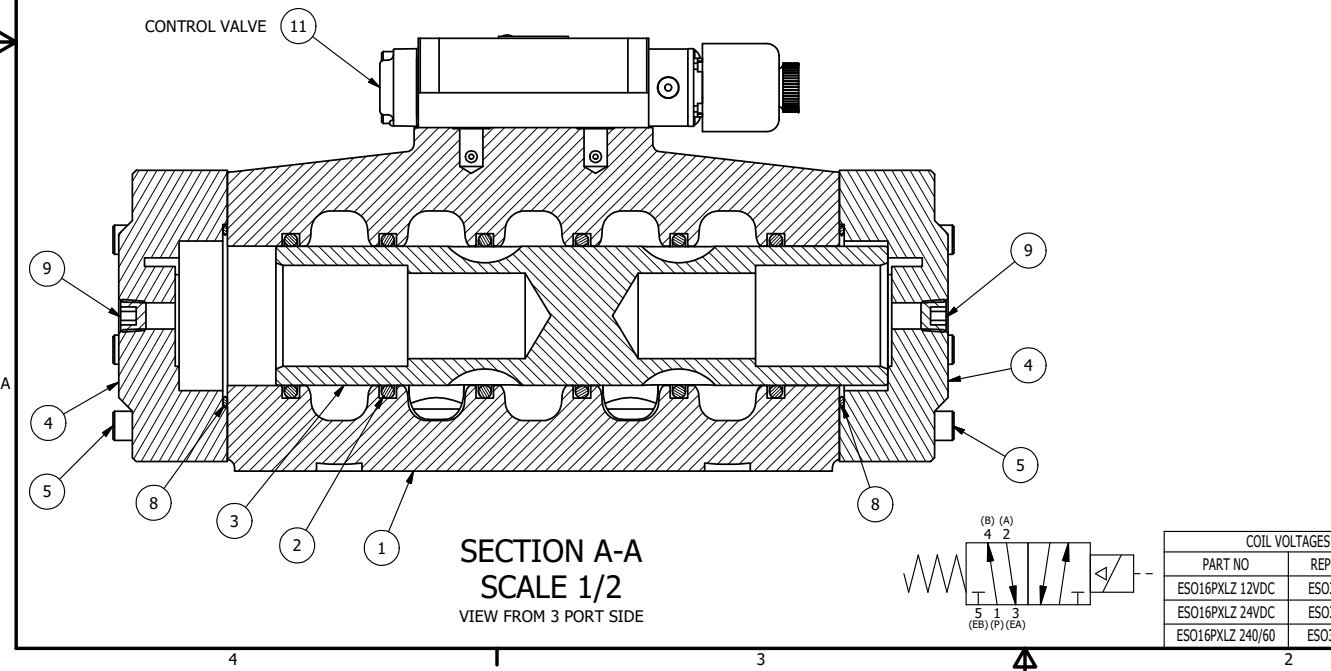


- NOTES:
- 1) ALWAYS GIVE VALVE MODEL AND PART NUMBER WHEN ORDERING.
 - 2) OPEN MUFFLER 2 TURNS FROM CLOSED POSITION. TIGHTEN LOCK NUT ON MUFFLER.
 - 3) INSTALL MUFFLER WITH MAGNALUBE-G GREASE 1 TO 1-1/2 TURNS FROM HAND TIGHT INTO BODY.
 - 4) FOR DIFFERENT VOLTAGES OTHER THAN 120/60, REPLACE TOP CONTROL VALVE WITH VALVE LISTED IN TABLE BELOW.

THE FOLLOWING PARTS ARE INCLUDED WITH THE SUBPLATE VALVE AND ARE USED TO ASSEMBLE.

QTY	PART NO	DESCRIPTION
5	V-92	O-RING, BUNA-N, 70 DURO, AS-014, (REF 1/2 X 5/8 X 1/16), 3/8" SUBPLATE
4	V-35	SCREW, 10-24 X 7/8, SOCKET HEAD CAP



QTY	PART NO	DESCRIPTION	
12	1	SPK-16 KIT - SUBPLATE MOUNT, 2" SUBPLATE VALVES	
11	1	ESO3PXL 3/8" SUBPLATE, SNGL SOL, 2 POS, SPRING RTRN, EXPLOSION PROOF, 120/60, DUST EXCLDR	
10	2	MFC2 ASSEMBLY - MUFFLER FLOW CONTROL, 1/4" NPT	
9	2	V-337 PLUG, SOCKET 1/4-18 FLUSH SEAL PLUG	
8	2	V-124 O-RING, BUNA-N, 70 DURO, AS-231, (REF 2-5/8 X 2-7/8 X 1/8), 2 POS, 1-1/2" & 2" VALVES	
7	2	V-89 O-RING, BUNA-N, 70 DURO, AS-110, (REF 3/8 X 9/16 X 3/32), 1" & 2" SUBPLATE PILOT	
6	3	V-231 PLUG, SOCKET PRESSURE 1/16-27X 7/8 TAPER FOR 122V, 192V, FOR EC	
5	12	V-143 SCREW, 5/16-18 X 2, SOCKET HEAD CAP	
4	2	PEC12E ENDCAP - PILOT, SOLID, 6061-T6 AL, 1-1/2" & 2" VALVES	
3	1	S12 SPOOL - STANDARD, 2 POS - 3 POS CLOSED CTR, 1 1/2" & 2" VALVE	
2	6	V-123 O-RING, BUNA-N, 70 DURO, AS-331, (REF 2-1/4 X 2-5/8 X 3/16), 1-1/2" & 2" VALVES	
1	1	BP16-6 BODY, 2" SUBPLATE, PIGGY BACK	
FLG	QTY	PART NO	DESCRIPTION

COIL VOLTAGES	
PART NO	REPLACE WITH
ESO16PXLZ 12VDC	ESO3PXL 12VDC
ESO16PXLZ 24VDC	ESO3PXL 24VDC
ESO16PXLZ 240/60	ESO3PXL 240/60

LIMITS ON DIMENSIONS UNLESS OTHERWISE SPECIFIED		2-PL DECIMAL ± .01 3-PL DECIMAL ± .005 FRACTIONAL ± 1/64 ANGULAR ± 1/2°		AAA PRODUCTS INTERNATIONAL 7114 Harry Hines Blvd Dallas, TX 75235
DRAWN: RMckenna		DATE: 2/9/2019		
SCALE: 1/2		SHEET: 1 OF 1		CHECKED: KWaite DATE: 2/9/2019 RELEASED: HWomack DATE: 2/9/2019
TITLE: 2" SUBPLATE, SNGL SOL, 2 POS, SPRING RTRN, EXPLOSION PROOF, 120/60, DUST EXCLDR, EXT PILOT				PART NO.: ESO16PXLZ
THE INFORMATION CONTAINED WITHIN THIS DOCUMENT IS PROPRIETARY TO AAA PRODUCTS AND MAY NOT BE DISCLOSED WITHOUT PRIOR WRITTEN CONSENT				REV.:

P:\Engineering\Product Valve Assembly\Standard ISO DWG\ESO16PXLZ.dwg