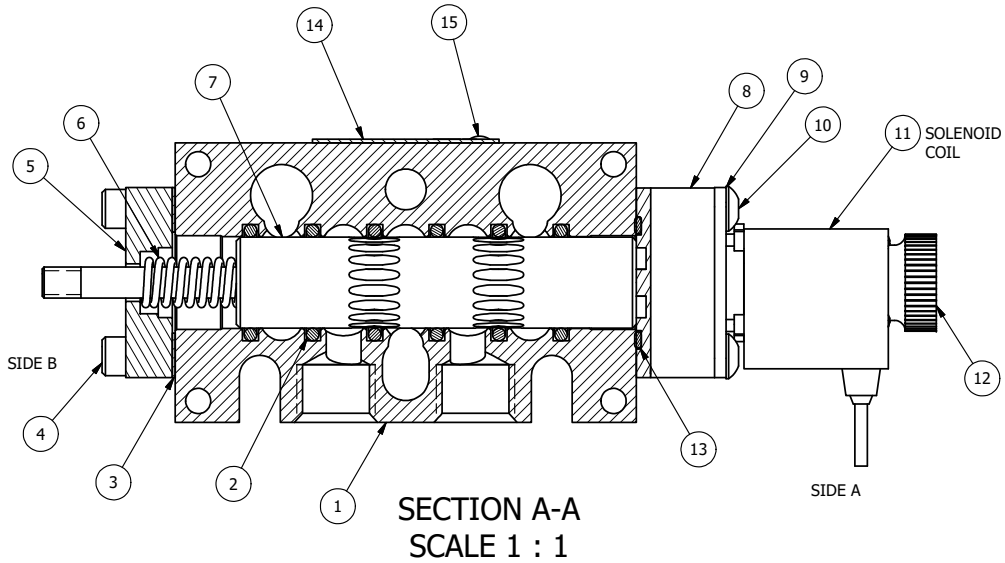


POSITION GASKET ON END OF VALVE TO SEAL PILOT HOLE SIDE 'B' ONLY

ALIGN PILOT AND SLOT IN ADAPTOR WITH GASKET IN BETWEEN SIDE 'A' ONLY FOR EXTERNAL PILOT OPERATION - ROTATE ADAPTOR 180 DEGREES. REMOVE 1/8" NPTF PLUG AND SUPPLY 50-150 PSI TO 1/8" NPTF PILOT PORT IN ADAPTOR.

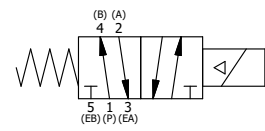
NOTES:  
 1) ALWAYS GIVE VALVE MODEL AND PART NUMBER WHEN ORDERING PARTS.  
 2) FOR DIFFERENT VOLTAGES OTHER THAN 120/60, REPLACE SOLENOID COIL WITH COIL LISTED IN TABLE BELOW.



|     |     |           |   |
|-----|-----|-----------|---|
| 16  | 3   | V-110     | O-RING, BUNA-N, 70 DURO, AS-114, (REF 5/8 X 13/16 X 3/32), 1/4" SLEEVE, 1/2" SUB, STACK |
| 15  | 2   | V-212     | SCREW, #2 X 3/16 DRIVE, TYPE U, OVAL HEAD, STAINLESS STEEL                              |
| 14  | 1   | AN-114    | NAMEPLATE, BLANK, FOR VALVES WITH SPRINGS OR DETENTS                                    |
| 13  | 1   | EMG3      | GASKET - END MOUNT SOLENOID, BUNA-N, 1/4" & 3/8" VALVES                                 |
| 12  | 1   | V-567W    | E SERIES SINTERED BRONZE MUFFLER, DUST EXCLUDER, V-613 LOCK WASHER                      |
| 11  | 1   | V-569-1   | SYSTEM 8 COIL 120 50/60.NASS # 0561 38.1 00/4984.                                       |
| 10  | 4   | V-584     | SCREW, 10-24 X 1, BUTTON HEAD SOCKET CAP WITH MICROSPHERE APPLIED TO THREADS.           |
| 9   | 1   | SEC3-7    | PLATE, RE-INFORCEMENT, SOLENOID, STAMPED, 304 STAINLESS                                 |
| 8   | 1   | V-550-1   | SOL OPER, END MOUNT, NON-LOCKING ORIDE  |
| 7   | 1   | AY-S3-SIK | ASSEMBLY - SPOOL INDICATOR, THREADED, 1/4" & 3/8" VALVE                                 |
| 6   | 1   | CS3       | SPRING - RETURN, (EXCEPT HO, KO & PO) 1/4" & 3/8" VALVES                                |
| 5   | 1   | PEC3-5    | END CAP, INDICATOR PIN, WIPER CAVITY, 6061-T6, 1/4" & 3/8" VALVE                        |
| 4   | 4   | V-38      | SCREW, 10-24 X 3/4, SOCKET HEAD CAP   |
| 3   | 1   | ECG3      | GASKET - END CAP, 1/4" & 3/8" VALVE   |
| 2   | 6   | V-39      | O-RING, VITON, STD BODY, 1/4" & 3/8" VALVES   |
| 1   | 1   | B3-10E    | FINISHED - SOLID BODY, UPPER PILOTS, 3/8" STACKING VALVE                                |
| FLG | QTY | PART NO   | DESCRIPTION   |

|  |  |  |  |  |                 |                 |
|--|--|--|--|--|-----------------|-----------------|
| LIMITS ON DIMENSIONS UNLESS OTHERWISE SPECIFIED  |  | 2-PL DECIMAL ± .01<br>3-PL DECIMAL ± .005<br>FRACTIONAL ± 1/64<br>ANGULAR ± 1/2° |  | <b>AAA PRODUCTS INTERNATIONAL</b><br>7114 Harry Hines Blvd<br>Dallas, TX 75235 |                 |                 |
| DRAWN: RMckenna  |  | DATE: 8/16/2019  |  |  | CHECKED: KWaite | DATE: 8/16/2019 |
| SCALE: 1:1   |  | SHEET: 1 OF 1  |  | RELEASED: HWormack   |                 | DATE: 8/16/2019 |
| TITLE:<br><b>3/8" STACK, SNGL SOL, 2 POS, SPR RTRN, FLYING LEAD, 120/60, INDCTR PIN, DUST EXCLDR</b> |  |  |  | PART NO.:  |                 | REV.:           |
|  |  |  |  | EBSO3MLK   |                 |                 |

| COIL VOLTAGES   |              |
|-----------------|--------------|
| PART NO         | REPLACE COIL |
| EBSO3MLK 12VDC  | V-569-2      |
| EBSO3MLK 24VDC  | V-569-3      |
| EBSO3MLK 240/60 | V-569-4      |



THE INFORMATION CONTAINED WITHIN THIS DOCUMENT IS PROPRIETARY TO AAA PRODUCTS AND MAY NOT BE DISCLOSED WITHOUT PRIOR WRITTEN CONSENT

D:\Engineering\product\Valve Assembly\Standard\550\DWG\EBSO3MLK.dwg