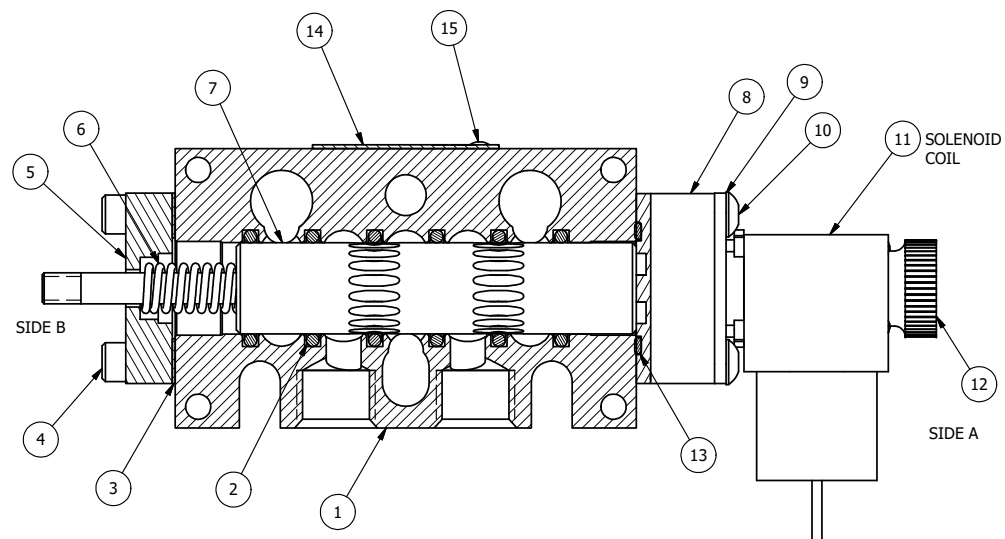


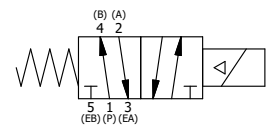
NOTES:  
 1) ALWAYS GIVE VALVE MODEL AND PART NUMBER WHEN ORDERING PARTS.  
 2) FOR DIFFERENT VOLTAGES OTHER THAN 120/60, REPLACE SOLENOID COIL WITH COIL LISTED IN TABLE BELOW.



SECTION A-A  
 SCALE 1 : 1

|     |     |           |   |
|-----|-----|-----------|---|
| 16  | 3   | V-110     | O-RING, BUNA-N, 70 DURO, AS-114, (REF 5/8 X 13/16 X 3/32), 1/4" SLEEVE, 1/2" SUB, STACK |
| 15  | 2   | V-212     | SCREW, #2 X 3/16 DRIVE, TYPE U, OVAL HEAD, STAINLESS STEEL                              |
| 14  | 1   | AN-114    | NAMEPLATE, BLANK, FOR VALVES WITH SPRINGS OR DETENTS                                    |
| 13  | 1   | EMG3      | GASKET - END MOUNT SOLENOID, BUNA-N, 1/4" & 3/8" VALVES                                 |
| 12  | 1   | V-567W    | E SERIES SINTERED BRONZE MUFFLER, DUST EXCLUDER, V-613 LOCK WASHER                      |
| 11  | 1   | V-600-1   | COIL - 1/2 NPTF HUB 120V 50/60HZ, NASS P/N 0561 44.1-00/4984                            |
| 10  | 4   | V-584     | SCREW, 10-24 X 1, BUTTON HEAD SOCKET CAP WITH MICROSPHERE APPLIED TO THREADS.           |
| 9   | 1   | SEC3-7    | PLATE, RE-INFORCEMENT, SOLENOID, STAMPED, 304 STAINLESS                                 |
| 8   | 1   | V-550-1   | SOL OPER, END MOUNT, NON-LOCKING ORIDE  |
| 7   | 1   | AY-S3-SIK | ASSEMBLY - SPOOL INDICATOR, THREADED, 1/4" & 3/8" VALVE                                 |
| 6   | 1   | CS3       | SPRING - RETURN, (EXCEPT HO, KO & PO) 1/4" & 3/8" VALVES                                |
| 5   | 1   | PEC3-5    | END CAP, INDICATOR PIN, WIPER CAVITY, 6061-T6, 1/4" & 3/8" VALVE                        |
| 4   | 4   | V-38      | SCREW, 10-24 X 3/4, SOCKET HEAD CAP   |
| 3   | 1   | ECG3      | GASKET - END CAP, 1/4" & 3/8" VALVE   |
| 2   | 6   | V-39      | O-RING, VITON, STD BODY, 1/4" & 3/8" VALVES   |
| 1   | 1   | B3-10E    | FINISHED - SOLID BODY, UPPER PILOTS, 3/8" STACKING VALVE                                |
| FLG | QTY | PART NO   | DESCRIPTION   |

| LIMITS ON DIMENSIONS UNLESS OTHERWISE SPECIFIED   |              | 2-PL DECIMAL ± .01<br>3-PL DECIMAL ± .005<br>FRACTIONAL ± 1/64<br>ANGULAR ± 1/2° |  | <b>AAA PRODUCTS INTERNATIONAL</b><br>7114 Harry Hines Blvd<br>Dallas, TX 75235 |                 |                 |         |                |         |                 |         |  |  |                              |       |
|---|--------------|--|--|--|-----------------|-----------------|---------|----------------|---------|-----------------|---------|--|--|------------------------------|-------|
| DRAWN: RMckenna   |              | DATE: 8/14/2019  |  |  | CHECKED: KWaite | DATE: 8/14/2019 |         |                |         |                 |         |  |  |                              |       |
| SCALE: 1 : 1  |              | SHEET: 1 OF 1  |  | RELEASED: HWomack  |                 | DATE: 8/14/2019 |         |                |         |                 |         |  |  |                              |       |
| COIL VOLTAGES<br><table border="1"> <tr><th>PART NO</th><th>REPLACE COIL</th></tr> <tr><td>EBSO3JLK 12VDC</td><td>V-600-2</td></tr> <tr><td>EBSO3JLK 24VDC</td><td>V-600-3</td></tr> <tr><td>EBSO3JLK 240/60</td><td>V-600-4</td></tr> </table> |              |  |  | PART NO  | REPLACE COIL    | EBSO3JLK 12VDC  | V-600-2 | EBSO3JLK 24VDC | V-600-3 | EBSO3JLK 240/60 | V-600-4 | TITLE:<br><b>3/8" STACK, SNGL SOL, 2 POS, SPR RTRN, MOLD-OVER, 120/60, INDCTR PIN, DUST EXCLDR</b> |  | PART NO.:<br><b>EBSO3JLK</b> | REV.: |
| PART NO   | REPLACE COIL |  |  |  |                 |                 |         |                |         |                 |         |  |  |                              |       |
| EBSO3JLK 12VDC  | V-600-2      |  |  |  |                 |                 |         |                |         |                 |         |  |  |                              |       |
| EBSO3JLK 24VDC  | V-600-3      |  |  |  |                 |                 |         |                |         |                 |         |  |  |                              |       |
| EBSO3JLK 240/60   | V-600-4      |  |  |  |                 |                 |         |                |         |                 |         |  |  |                              |       |



THE INFORMATION CONTAINED WITHIN THIS DOCUMENT IS PROPRIETARY TO AAA PRODUCTS AND MAY NOT BE DISCLOSED WITHOUT PRIOR WRITTEN CONSENT