

4

3

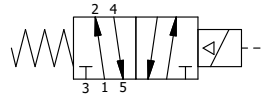
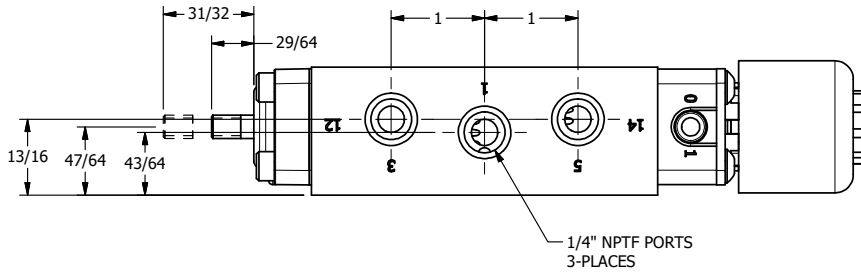
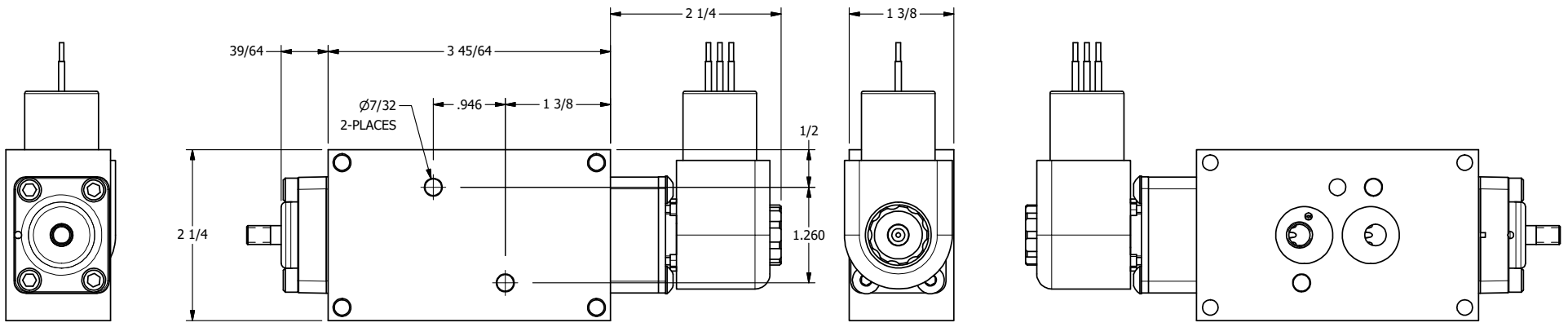
2

1

1/4-20 UNC X 3/8
THREADED PIN

EXTERNAL
PILOT

1/2"-14 NPT
CONDUIT CONNECTION
18" LEADS, 3 WIRE



AAA
PRODUCTS
INTERNATIONAL

**AAA PRODUCTS
INTERNATIONAL**
7114 Harry Hines Blvd
Dallas, TX 75235

TITLE: 1/4" NAMUR, SNGL SOL, 2 POS,
SPR RTRN, EXPL PROOF, BR/SS,
THREADED INDCTR PIN, EXT PILOT

DRAWING NO.:
DIM_ZNS02XKZ

THE INFORMATION CONTAINED WITHIN THIS DOCUMENT IS PROPRIETARY TO AAA PRODUCTS AND MAY NOT BE DISCLOSED WITHOUT PRIOR WRITTEN CONSENT

4

3

2



B

B

A

A