

4

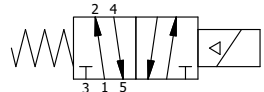
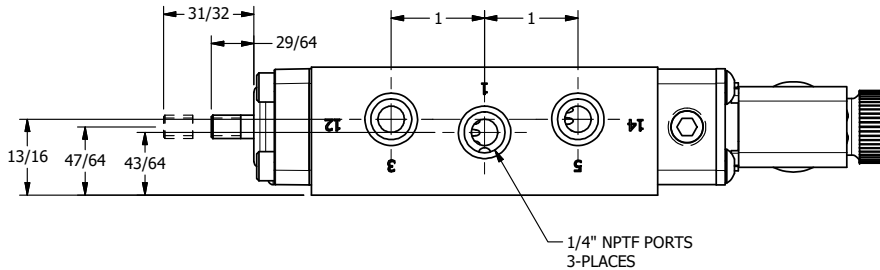
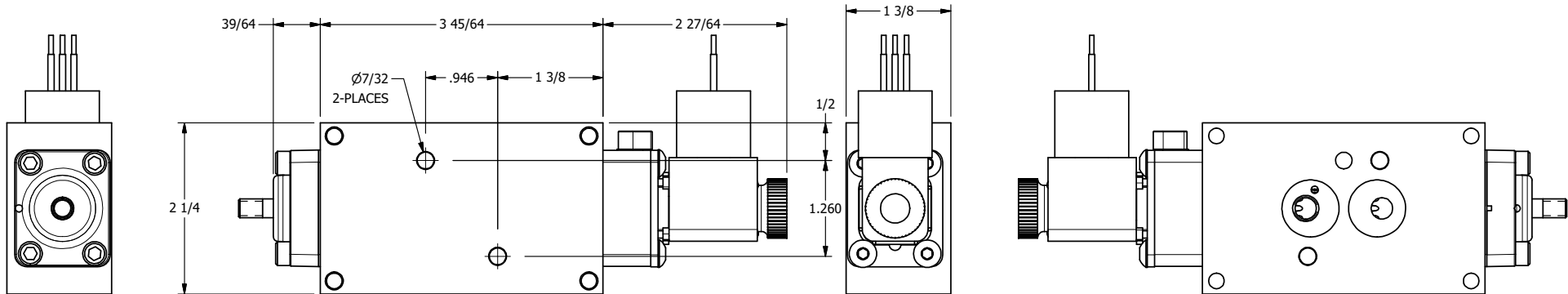
3

2

1

1/4-20 UNC X 3/8  
THREADED PIN

1/2"-14 NPT  
CONDUIT CONNECTION  
18" LEAD, 3 WIRE



**AAA**  
PRODUCTS  
INTERNATIONAL

**AAA PRODUCTS  
INTERNATIONAL**  
7114 Harry Hines Blvd  
Dallas, TX 75235

TITLE: 1/4" NAMUR, SNGL SOL, 2 POS,  
SPR RTRN, MOLD-OVER, BR/SS,  
LCKNG OVRD, EXCLDR, THD PIN

DRAWING NO.:  
DIM\_ZNSO2JOLK

THE INFORMATION CONTAINED WITHIN THIS DOCUMENT IS PROPRIETARY TO AAA PRODUCTS AND MAY NOT BE DISCLOSED WITHOUT PRIOR WRITTEN CONSENT

4

1

3

↑

2