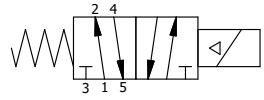
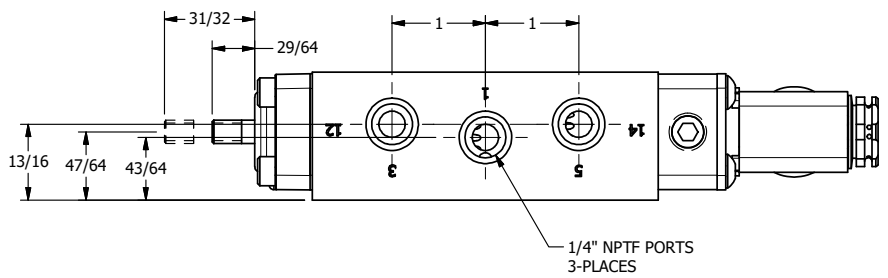
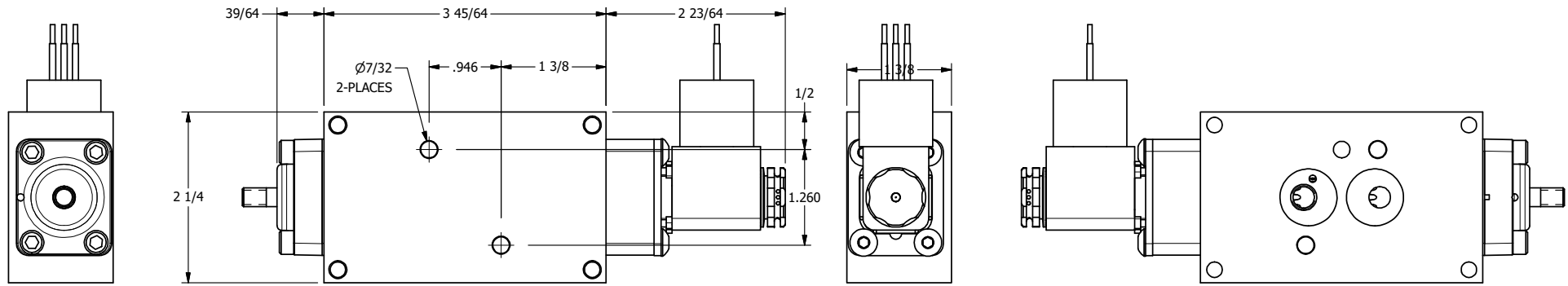



4 3 2 1

1/4-20 UNC X 3/8
THREADED PIN

1/2"-14 NPT
CONDUIT CONNECTION
18" LEAD, 3 WIRE



4 3 2

 <p>AAA PRODUCTS INTERNATIONAL 7114 Harry Hines Blvd Dallas, TX 75235</p>	<p>TITLE: 1/4" NAMUR, SNGL SOL, 2 POS, SPR RTRN, MOLD-OVER, BR/SS, SIDE VENT, THD PIN</p>	<p>DRAWING NO.: DIM_ZNS02JCK</p>
---	---	--------------------------------------

THE INFORMATION CONTAINED WITHIN THIS DOCUMENT IS PROPRIETARY TO AAA PRODUCTS AND MAY NOT BE DISCLOSED WITHOUT PRIOR WRITTEN CONSENT