

4

3

2

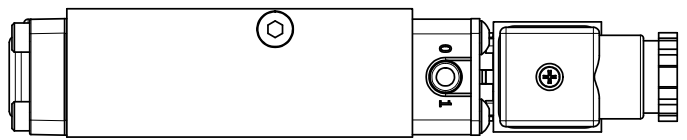
1

B

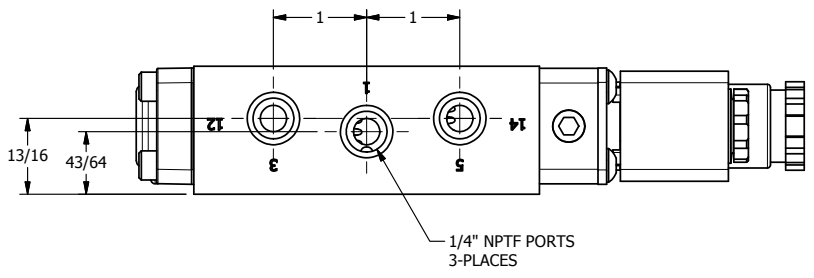
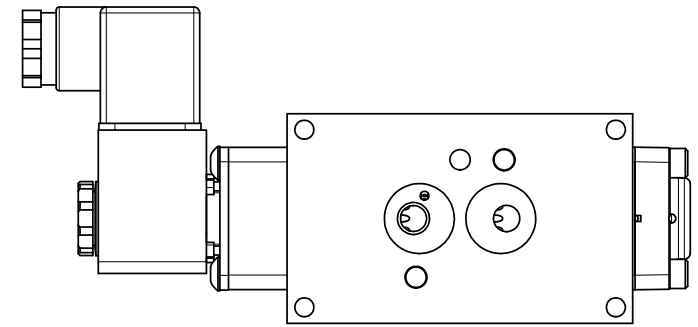
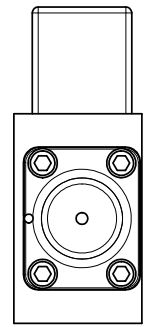
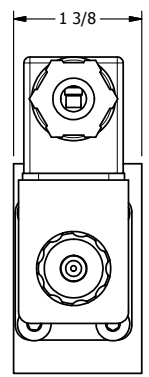
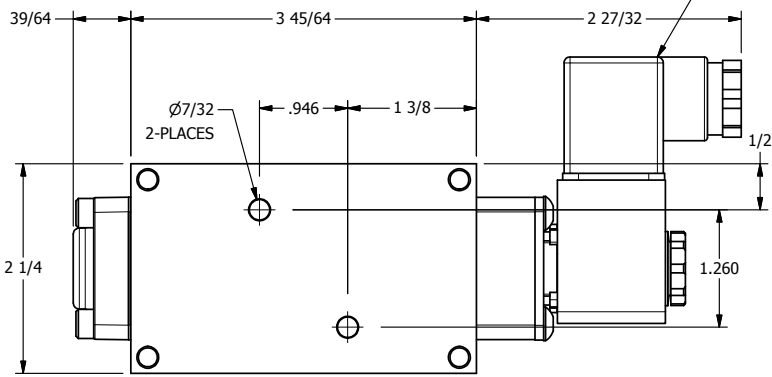
B

A

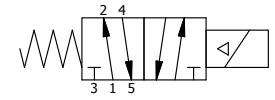
A



3/8" CORD GRIP DIN CAP INCLUDED
FORM A, ACC. TO EN 175301-803,
ISO 4400



1/4" NPTF PORTS
3-PLACES



AAA
PRODUCTS
INTERNATIONAL

**AAA PRODUCTS
INTERNATIONAL**
7114 Harry Hines Blvd
Dallas, TX 75235

TITLE: 1/4" NAMUR, SNGL SOL, 2 POS,
SPR RTRN, BRASS & STAINLESS,
INTRINSICALLY SAFE, 24VDC

DRAWING NO.:
DIM_ZNSO2A

4

3

2

1



THE INFORMATION CONTAINED WITHIN THIS DOCUMENT IS PROPRIETARY TO AAA PRODUCTS AND MAY NOT BE DISCLOSED WITHOUT PRIOR WRITTEN CONSENT