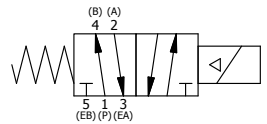
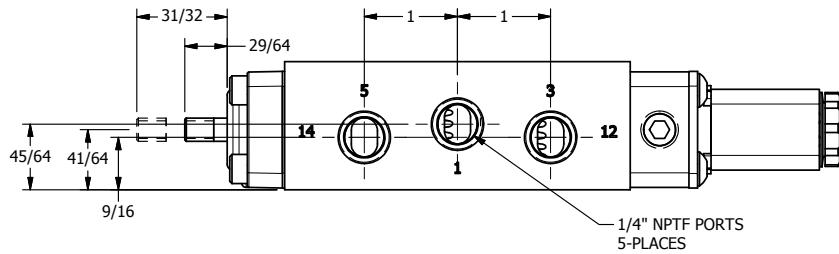
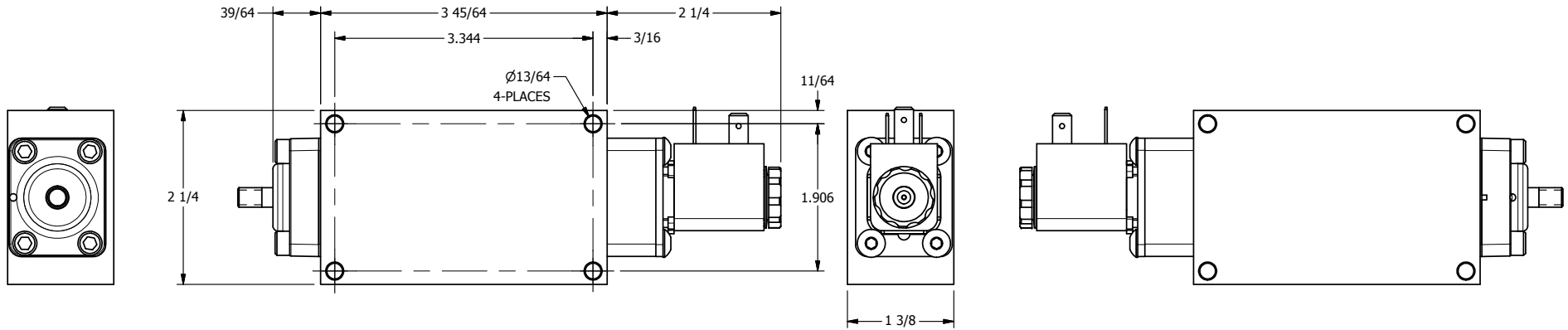
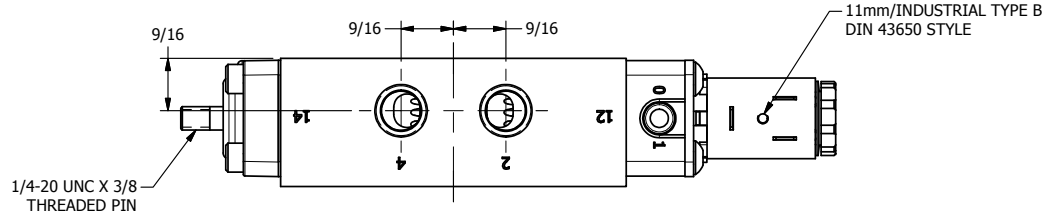


4 3 2 1



4 3 2



TITLE: 1/4" SIDE PORT, SNGL SOL, 2 POS,
SPRING RTRN, BRASS & STAINLESS,
THREADED INDICATOR PIN

DRAWING NO.:
DIM_ZESO2K

THE INFORMATION CONTAINED WITHIN THIS DOCUMENT IS PROPRIETARY TO AAA PRODUCTS AND MAY NOT BE DISCLOSED WITHOUT PRIOR WRITTEN CONSENT