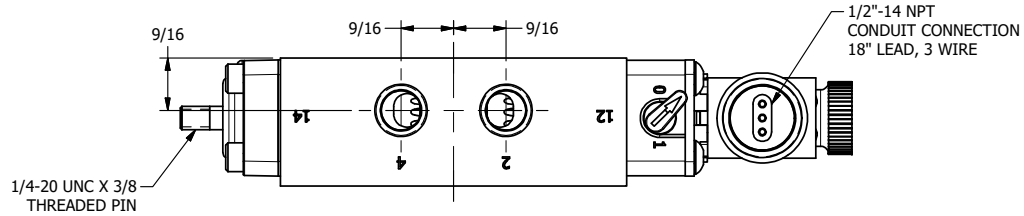


4

3

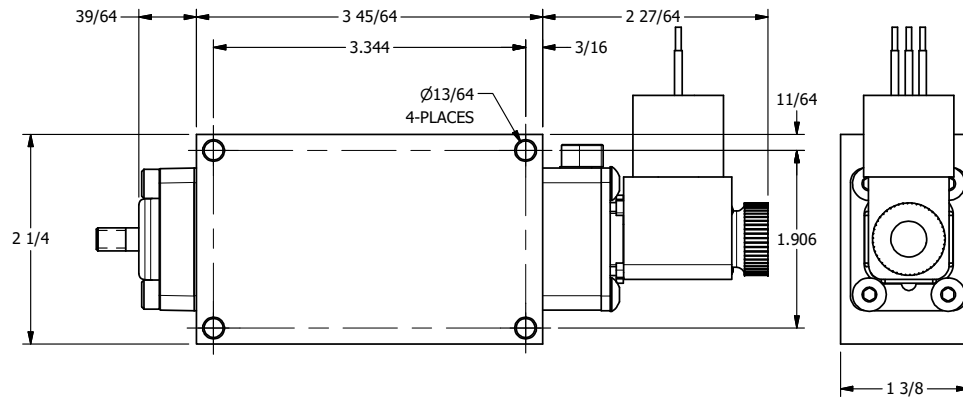
2

1

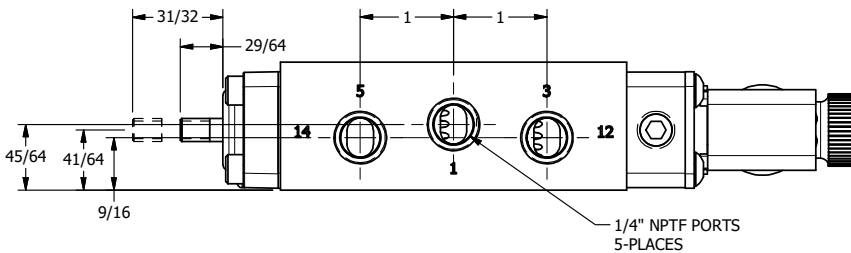
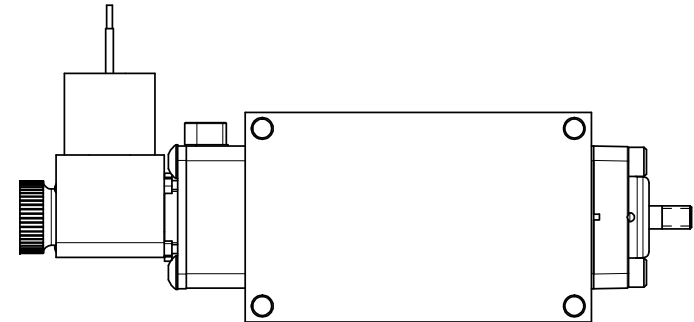


1/4-20 UNC X 3/8
THREADED PIN

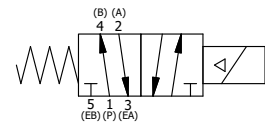
1/2"-14 NPT
CONDUIT CONNECTION
18" LEAD, 3 WIRE



Ø13/64
4-PLACES



1/4" NPTF PORTS
5-PLACES



**AAA PRODUCTS
INTERNATIONAL**
7114 Harry Hines Blvd
Dallas, TX 75235

TITLE: 1/4" SIDE PORT, SNGL SOL, 2 POS,
SPR RTRN, MOLD-OVER, BR/SS,
LCKNG OVRD, EXCLDR, THD PIN

DRAWING NO.:
DIM_ZESO2JOLK

THE INFORMATION CONTAINED WITHIN THIS DOCUMENT IS PROPRIETARY TO AAA PRODUCTS AND MAY NOT BE DISCLOSED WITHOUT PRIOR WRITTEN CONSENT

4

3

2

1