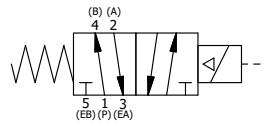
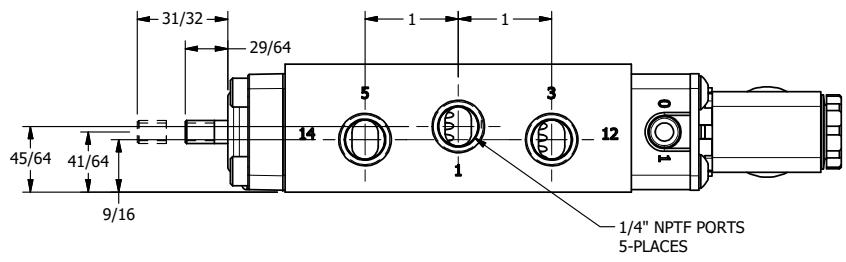
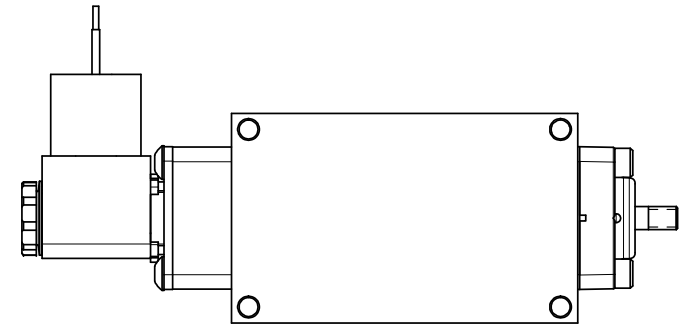
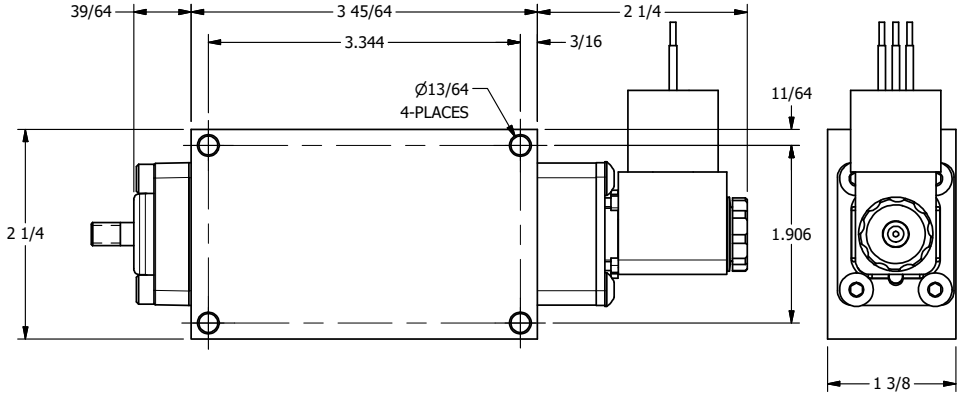
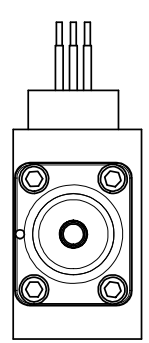
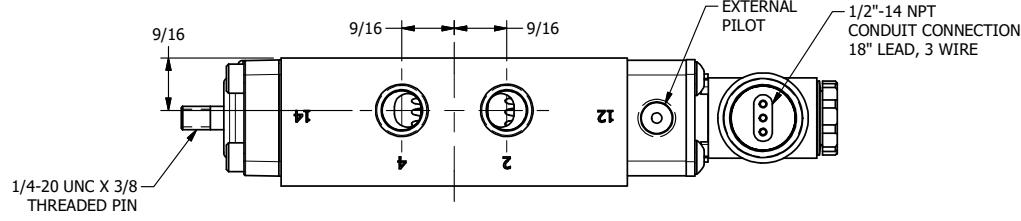


4

3

2

1



AAA
PRODUCTS
INTERNATIONAL

**AAA PRODUCTS
INTERNATIONAL**
7114 Harry Hines Blvd
Dallas, TX 75235

TITLE: 1/4" SIDE PORT, SNGL SOL, 2 POS,
SPR RTRN, MOLD-OVER, BR/SS,
THREADED INDCTR PIN, EXT PILOT

DRAWING NO.:
DIM_ZES02JKZ

THE INFORMATION CONTAINED WITHIN THIS DOCUMENT IS PROPRIETARY TO AAA PRODUCTS AND MAY NOT BE DISCLOSED WITHOUT PRIOR WRITTEN CONSENT

4

3

2



B

B

A

A