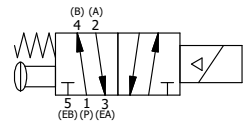
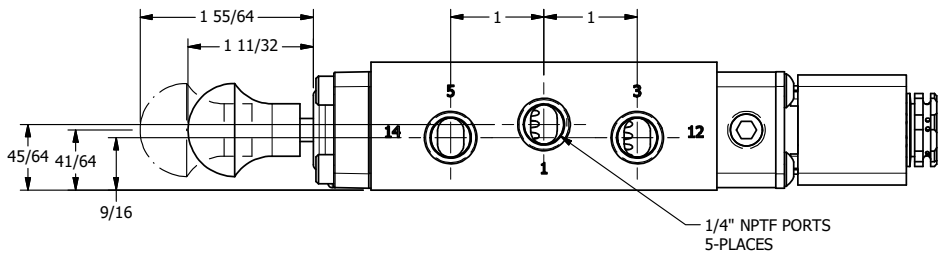
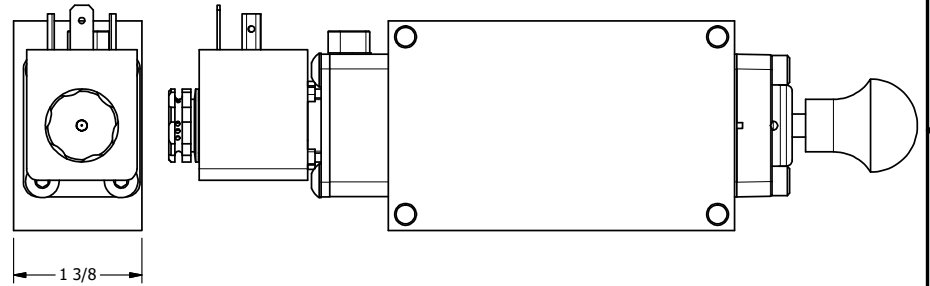
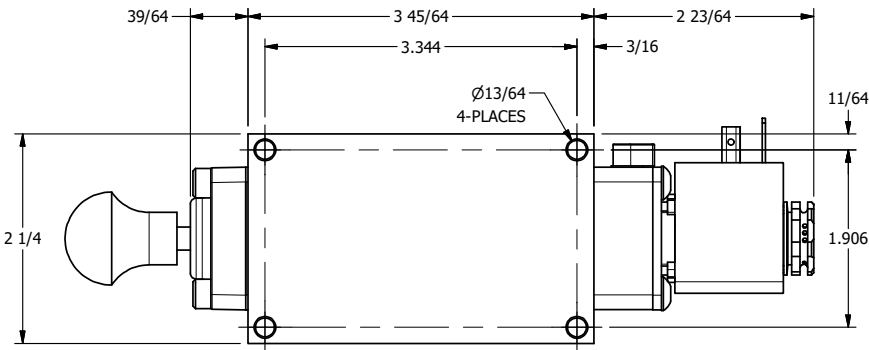
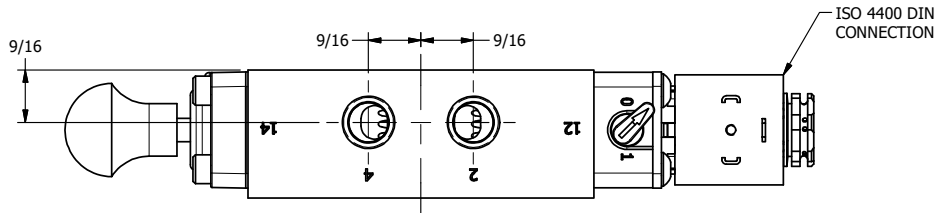


4 3 2 1



4 3 2 1



TITLE: 1/4" SIDE PORT, SNGL SOL, 2 POS,  
SPR RTRN, H-TEMP COIL, BR/SS,  
LCKNG OVRD, SIDE VENT, THD PIN

DRAWING NO.:  
DIM\_ZESO2HOCOS

THE INFORMATION CONTAINED WITHIN THIS DOCUMENT IS PROPRIETARY TO AAA PRODUCTS AND MAY NOT BE DISCLOSED WITHOUT PRIOR WRITTEN CONSENT