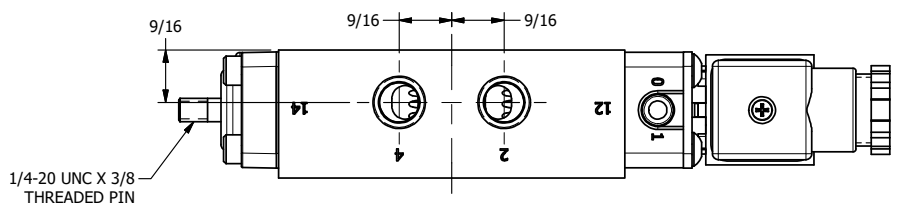
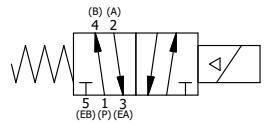
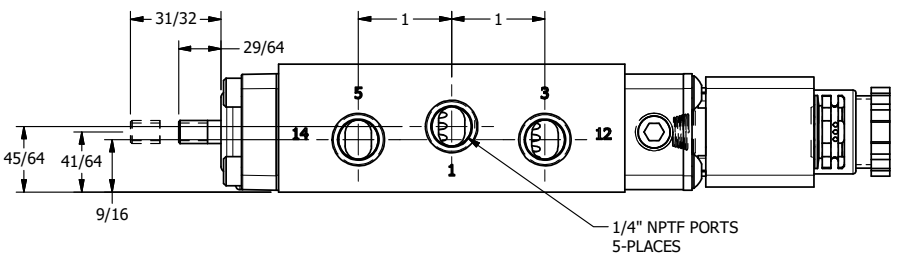
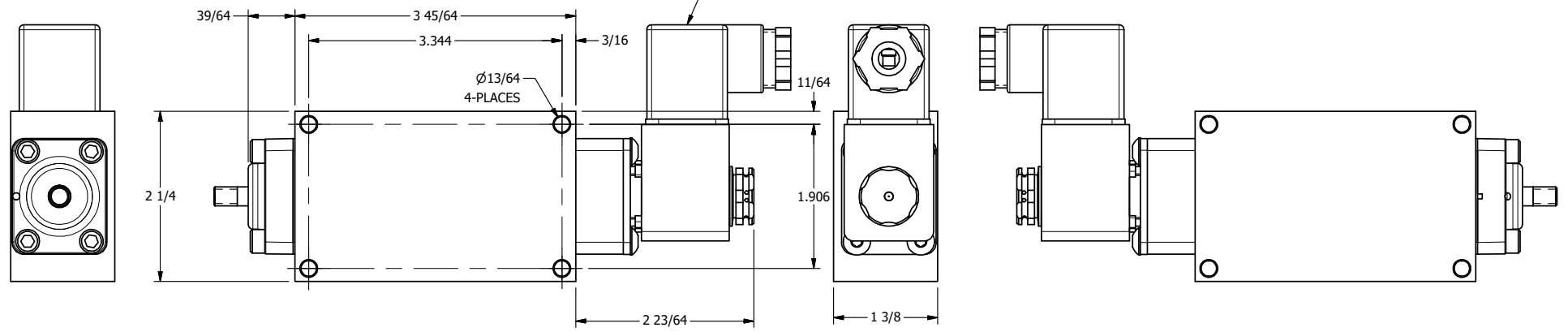


4 3 2 1



3/8" CORD GRIP DIN CAP INCLUDED FORM A, ACC. TO EN 175301-803, ISO 4400



AAA
PRODUCTS
INTERNATIONAL

AAA PRODUCTS INTERNATIONAL
7114 Harry Hines Blvd
Dallas, TX 75235

TITLE: 1/4" SIDE PORT, SNGL SOL, 2 POS,
SPR RTRN, INTR SAFE, BR/SS,
SIDE VENT, THD PIN

DRAWING NO.:
DIM_ZESO2ACK

4 3 2

THE INFORMATION CONTAINED WITHIN THIS DOCUMENT IS PROPRIETARY TO AAA PRODUCTS AND MAY NOT BE DISCLOSED WITHOUT PRIOR WRITTEN CONSENT