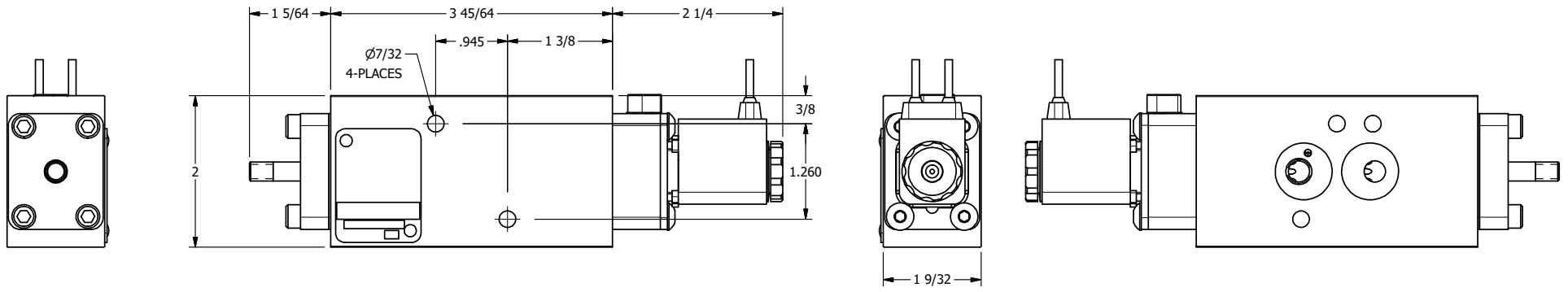


4 3 2 1

18" FLYING LEAD
2 WIRE

1/4-20 UNC X 3/8
THREADED PIN



33/64

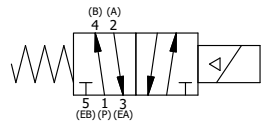
45/64 41/64 9/16

5 3 12

1 1

1 1/4" NPTF PORTS
3-PLACES

1 11/32



4 3 2

AAA
PRODUCTS
INTERNATIONAL

**AAA PRODUCTS
INTERNATIONAL**
7114 Harry Hines Blvd
Dallas, TX 75235

TITLE: 1/4" NAMUR, SNGL SOL, 2 POS,
SPRING RTRN, FLYING LEAD,
LCKNG OVRD, THREADED INDCTR PIN

DRAWING NO.:
DIM_NS02MOK

THE INFORMATION CONTAINED WITHIN THIS DOCUMENT IS PROPRIETARY TO AAA PRODUCTS AND MAY NOT BE DISCLOSED WITHOUT PRIOR WRITTEN CONSENT