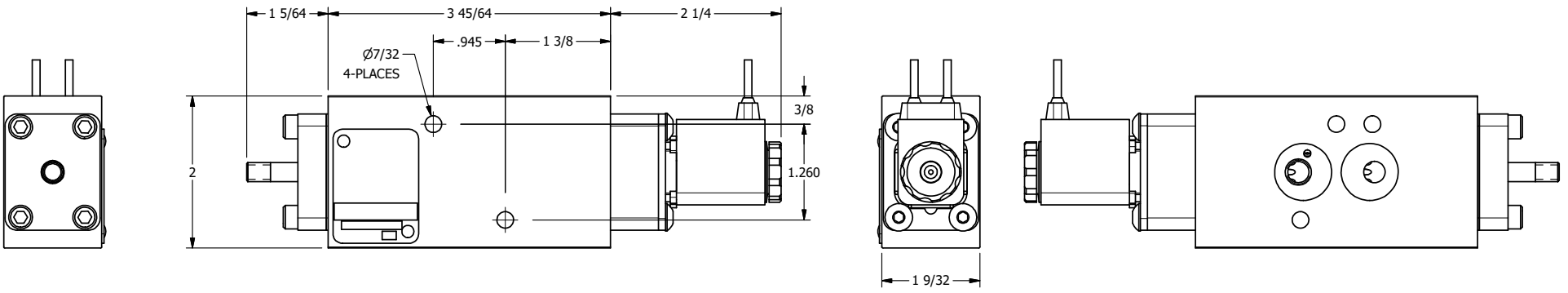
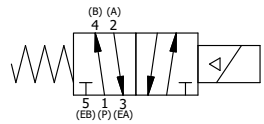


4 3 2 1

18" FLYING LEAD  
2 WIRE  
1/4-20 UNC X 3/8  
THREADED PIN



33/64  
45/64  
41/64  
9/16  
5  
3  
12  
1 11/32  
1  
1  
1/4" NPTF PORTS  
3-PLACES



4 3 2

**AAA**  
PRODUCTS  
INTERNATIONAL

**AAA PRODUCTS  
INTERNATIONAL**  
7114 Harry Hines Blvd  
Dallas, TX 75235

TITLE: 1/4" NAMUR, SNGL SOL, 2 POS,  
SPRING RTRN, FLYING LEAD,  
THREADED INDICATOR PIN

DRAWING NO.:  
DIM\_NS02MK

THE INFORMATION CONTAINED WITHIN THIS DOCUMENT IS PROPRIETARY TO AAA PRODUCTS AND MAY NOT BE DISCLOSED WITHOUT PRIOR WRITTEN CONSENT