

4

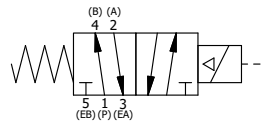
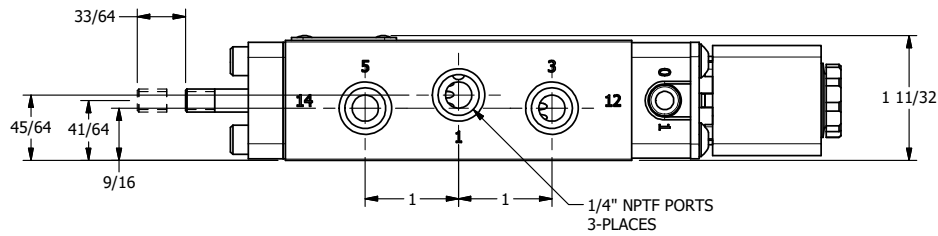
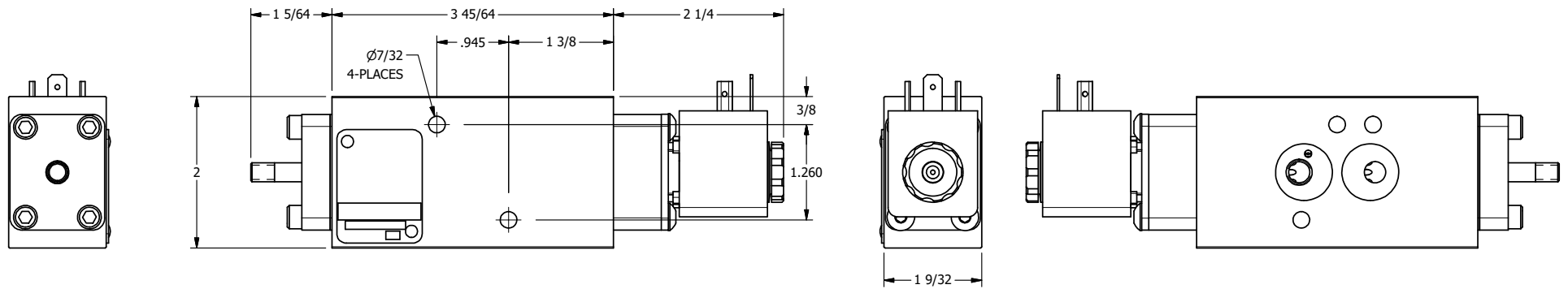
3

2

1

1/4-20 UNC X 3/8
THREADED PIN

EXTERNAL
PILOT
ISO 4400 DIN
CONNECTION



AAA
PRODUCTS
INTERNATIONAL

**AAA PRODUCTS
INTERNATIONAL**
7114 Harry Hines Blvd
Dallas, TX 75235

TITLE: 1/4" NAMUR, SNGL SOL, 2 POS,
SPR RTRN, HIGH TMP COIL,
THREADED INDCTR PIN, EXT PILOT

DRAWING NO.:
DIM_NS02HKZ

THE INFORMATION CONTAINED WITHIN THIS DOCUMENT IS PROPRIETARY TO AAA PRODUCTS AND MAY NOT BE DISCLOSED WITHOUT PRIOR WRITTEN CONSENT

4

3

2

