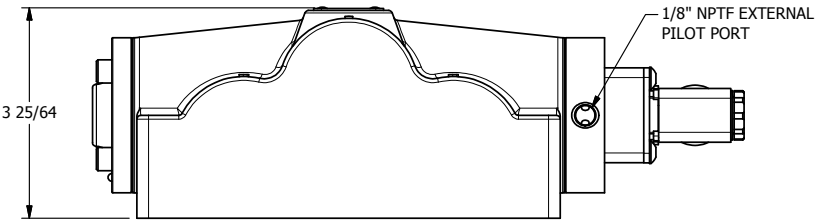
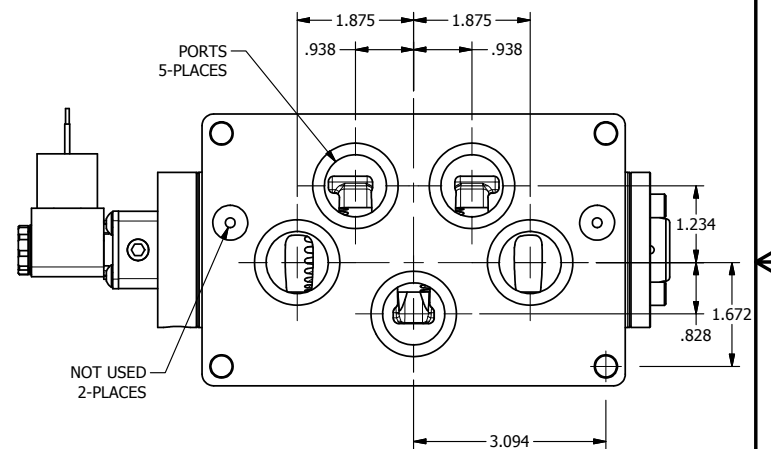
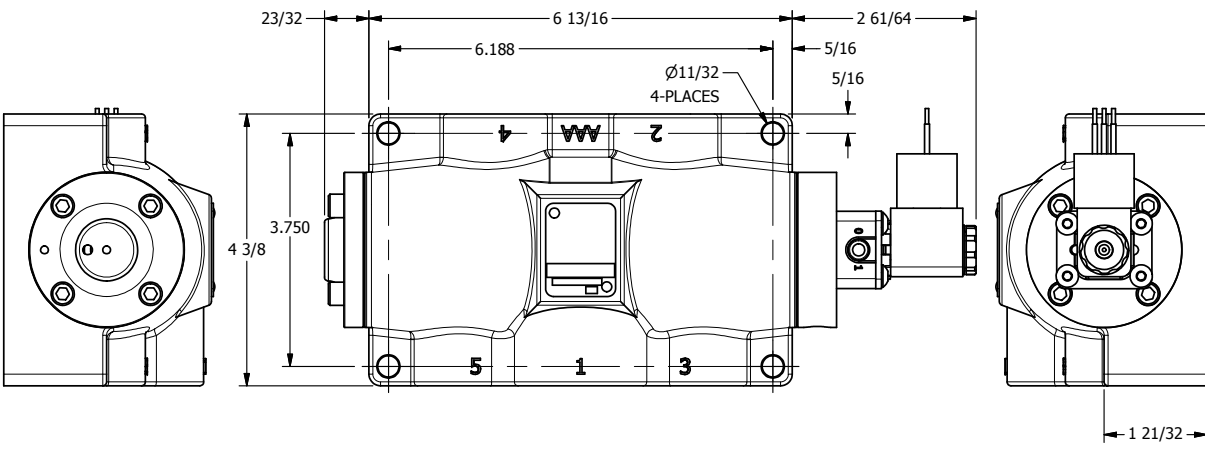
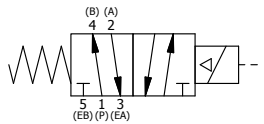


1/2"-14 NPT CONDUIT CONNECTION
18" LEAD, 3 WIRE



1/8" NPTF EXTERNAL PILOT PORT



AAA
PRODUCTS
INTERNATIONAL

AAA PRODUCTS INTERNATIONAL
7114 Harry Hines Blvd
Dallas, TX 75235

TITLE: 1" SIDE PORT, SNGL SOL, 2 POS,
SPR RTRN, MOLD-OVER, EXT PILOT

DRAWING NO.:
DIM_ESO8PJZ

THE INFORMATION CONTAINED WITHIN THIS DOCUMENT IS PROPRIETARY TO AAA PRODUCTS AND MAY NOT BE DISCLOSED WITHOUT PRIOR WRITTEN CONSENT