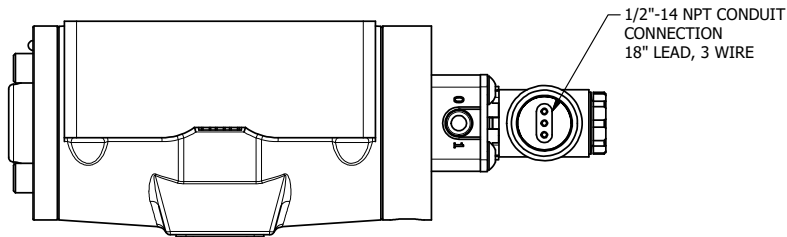


4

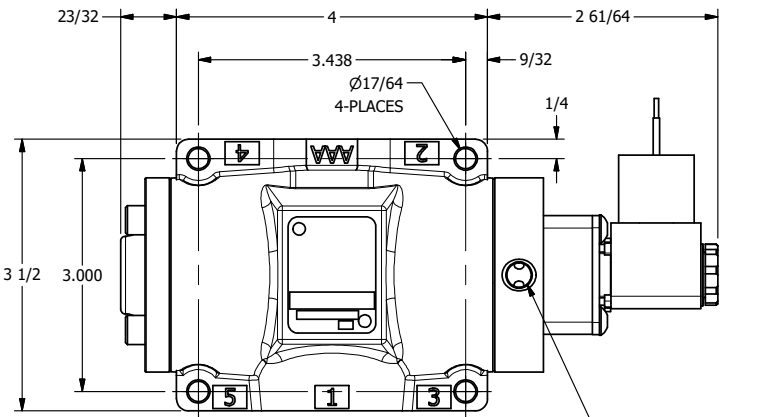
3

2

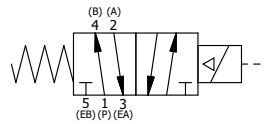
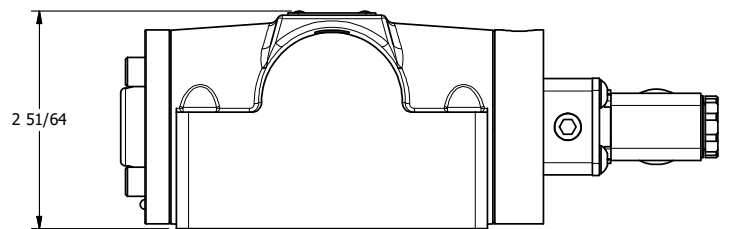
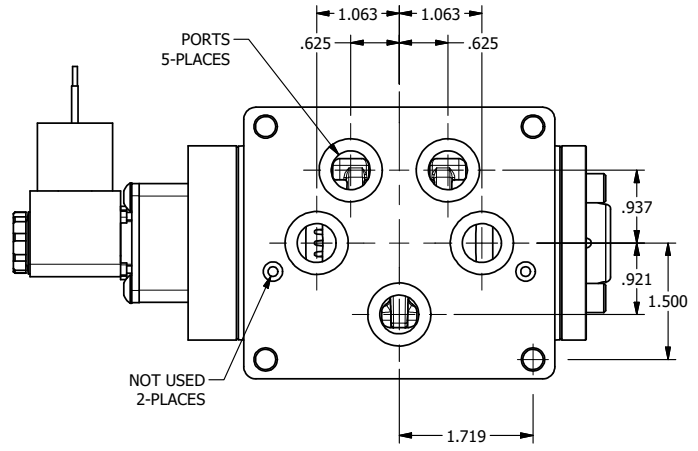
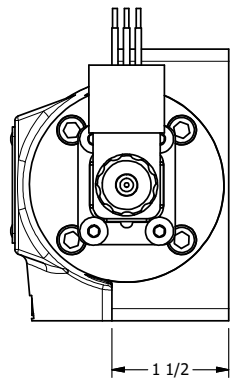
1



1/2"-14 NPT CONDUIT CONNECTION
18" LEAD, 3 WIRE



1/8" NPTF EXTERNAL PILOT PORT



AAA
PRODUCTS
INTERNATIONAL

AAA PRODUCTS INTERNATIONAL
7114 Harry Hines Blvd
Dallas, TX 75235

TITLE: 1/2" SUBPLATE, SNGL SOL, 2 POS,
SPR RTRN, MOLD-OVER, EXT PILOT

DRAWING NO.: DIM_ESO4PJZ

THE INFORMATION CONTAINED WITHIN THIS DOCUMENT IS PROPRIETARY TO AAA PRODUCTS AND MAY NOT BE DISCLOSED WITHOUT PRIOR WRITTEN CONSENT

4

3

2

1

B

B

A

A