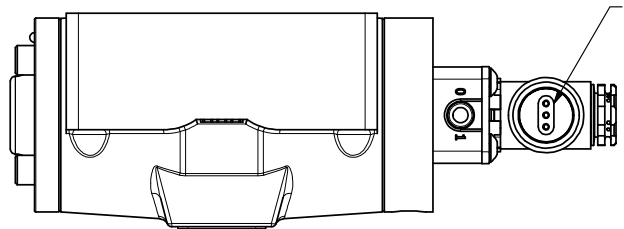


4

3

2

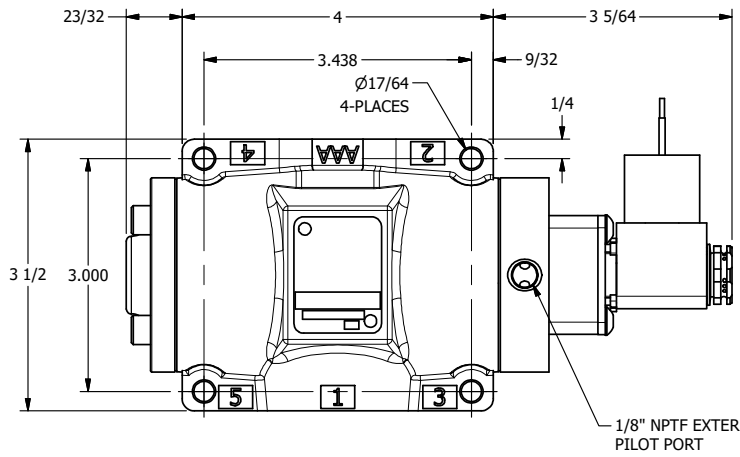
1



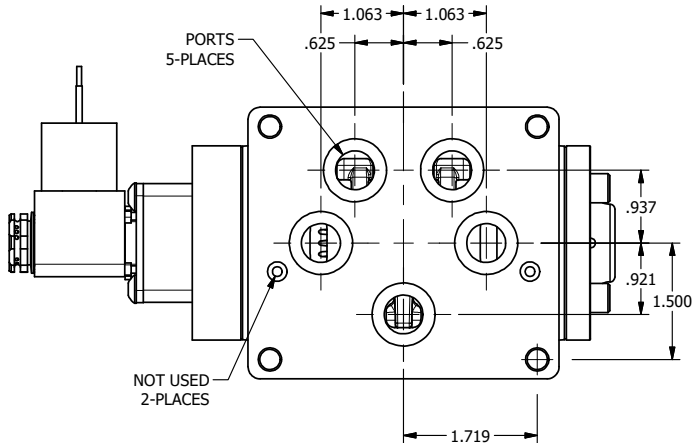
1/2"-14 NPT CONDUIT CONNECTION  
18" LEAD, 3 WIRE

B

B

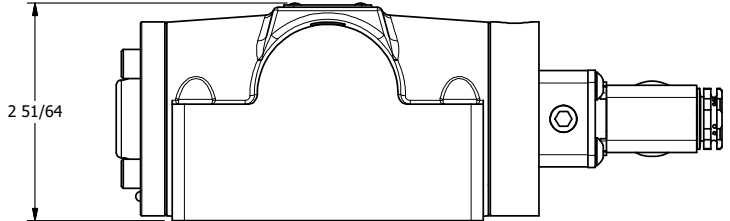


1/8" NPTF EXTERNAL PILOT PORT

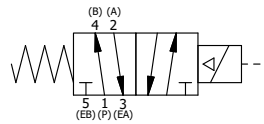


A

A



2 51/64



**AAA**  
PRODUCTS  
INTERNATIONAL

**AAA PRODUCTS INTERNATIONAL**  
7114 Harry Hines Blvd  
Dallas, TX 75235

TITLE: 1/2" SUBPLATE, SNGL SOL, 2 POS,  
SPR RTRN, MOLD-OVER,  
SIDE VENT, EXT PILOT

DRAWING NO.:  
DIM\_ESO4PJ CZ

4

3

2

THE INFORMATION CONTAINED WITHIN THIS DOCUMENT IS PROPRIETARY TO AAA PRODUCTS AND MAY NOT BE DISCLOSED WITHOUT PRIOR WRITTEN CONSENT