

4

3

2

1

9/16
1/4-20 UNC X 3/8
THREADED PIN

9/16 9/16 9/16

1/2"-14 NPT
CONDUIT CONNECTION
18" LEADS, 3 WIRE

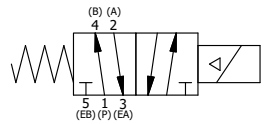
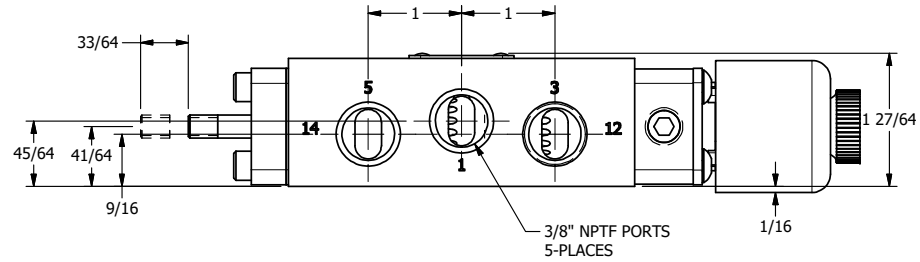
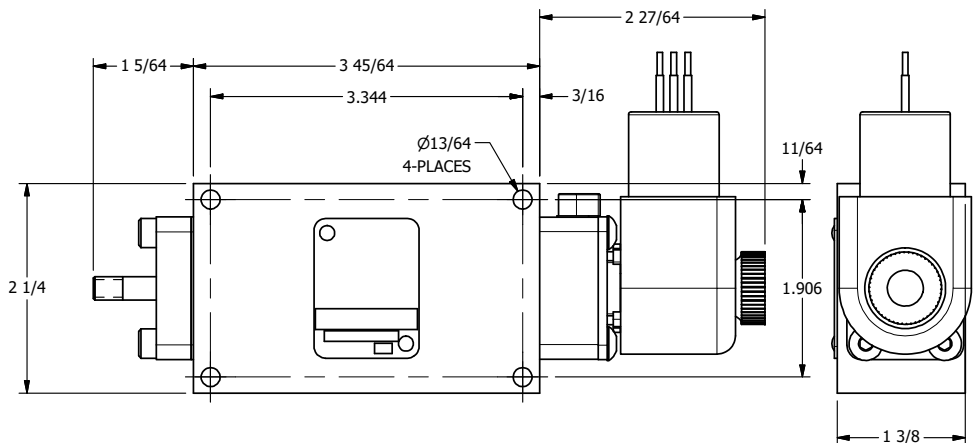
12

14

2

4

1



AAA
PRODUCTS
INTERNATIONAL

**AAA PRODUCTS
INTERNATIONAL**
7114 Harry Hines Blvd
Dallas, TX 75235

TITLE: 3/8" SIDE PORT, SNGL SOL, 2 POS,
SPR RTRN, EXPL PROOF,
LCKNG OVRD, EXCLDR, THD PIN

DRAWING NO.:
DIM_ESO3XOLK

THE INFORMATION CONTAINED WITHIN THIS DOCUMENT IS PROPRIETARY TO AAA PRODUCTS AND MAY NOT BE DISCLOSED WITHOUT PRIOR WRITTEN CONSENT

B

B

A

A

A

A

4

3

2

↑