

4 3 2 1

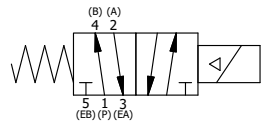
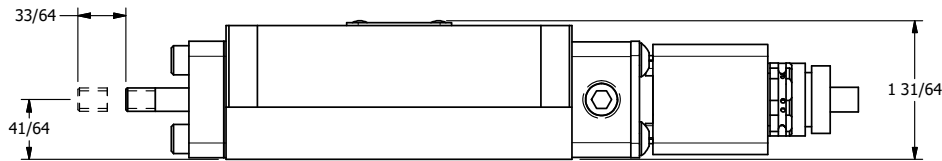
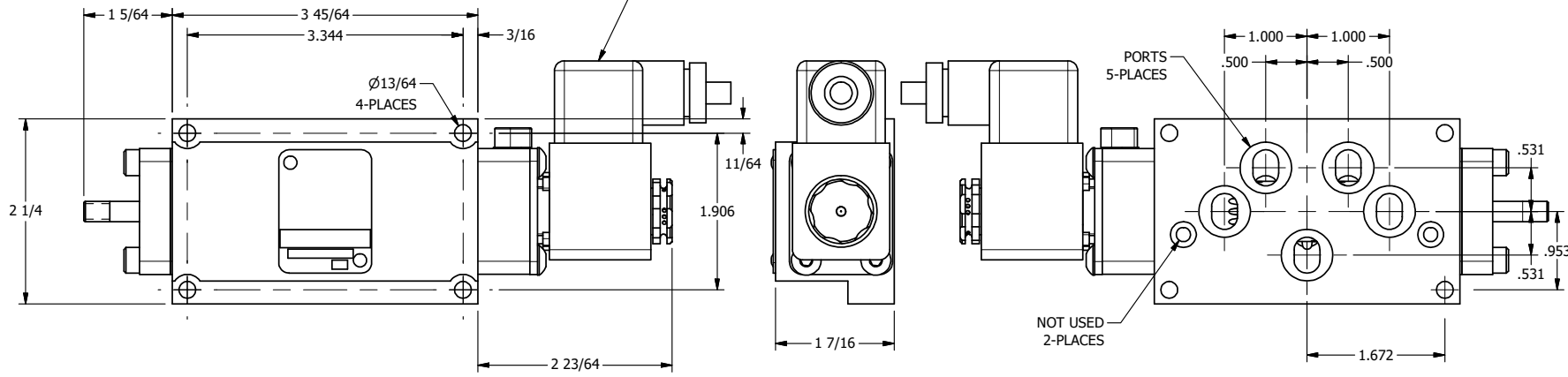
1/4-20 UNC X 3/8
THREADED PIN

ATEX/IEC MOLDED COIL
3 METERS OF 3 WIRE CORD

Ø13/64
4-PLACES

PORTS
5-PLACES

NOT USED
2-PLACES



AAA
PRODUCTS
INTERNATIONAL

**AAA PRODUCTS
INTERNATIONAL**
7114 Harry Hines Blvd
Dallas, TX 75235

TITLE 3/8" SUBPLATE, SNGL SOL, 2 POS,
SPR RTRN, ATEX,
LCKNG OVRD, THD PIN, SIDE VENT

DRAWING NO.:
DIM_ESO3PTOCK

4 3 2

THE INFORMATION CONTAINED WITHIN THIS DOCUMENT IS PROPRIETARY TO AAA PRODUCTS AND MAY NOT BE DISCLOSED WITHOUT PRIOR WRITTEN CONSENT