

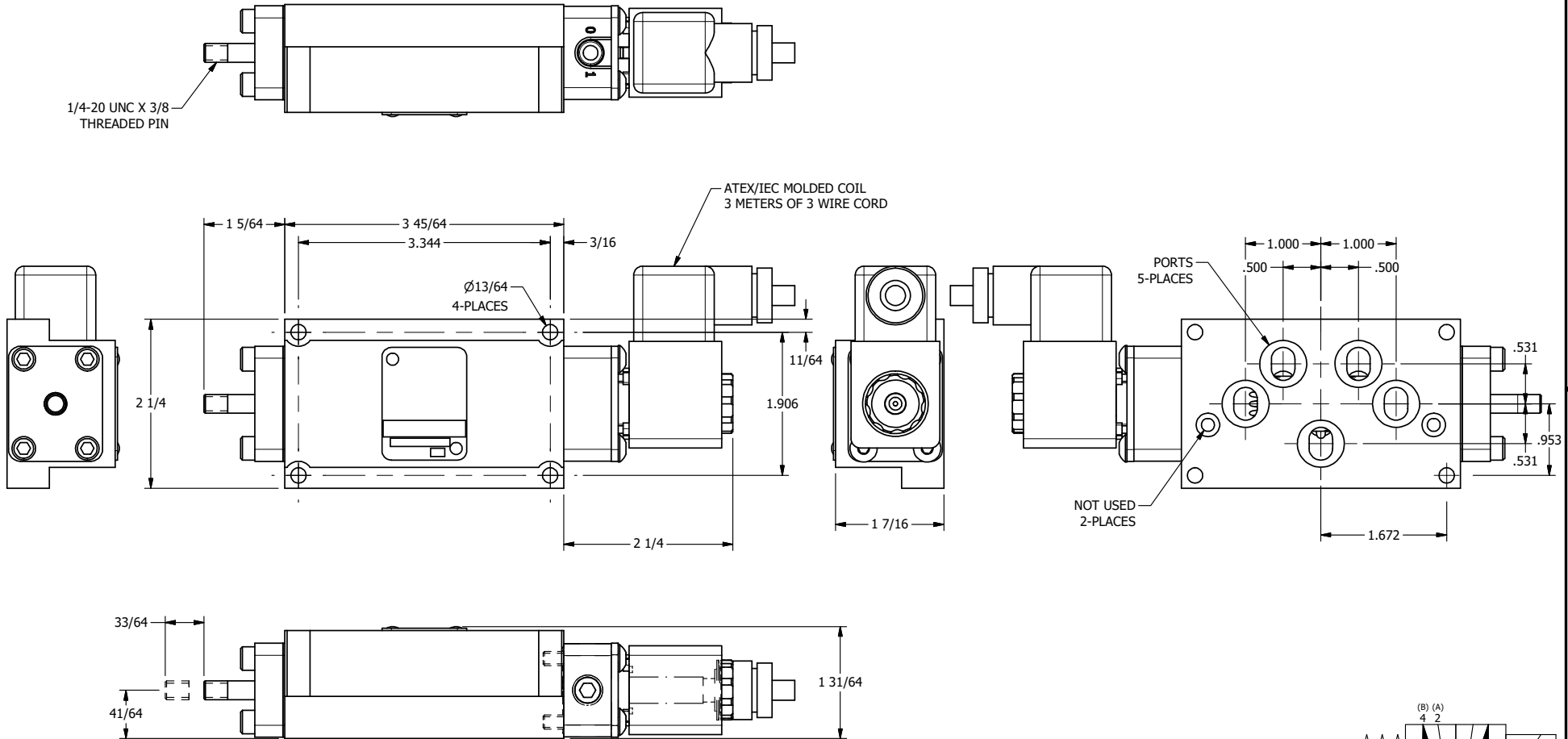
4 3 2 1

1/4-20 UNC X 3/8  
THREADED PIN

ATEX/IEC MOLDED COIL  
3 METERS OF 3 WIRE CORD

PORTS  
5-PLACES

NOT USED  
2-PLACES



4 3 2

**AAA**  
PRODUCTS  
INTERNATIONAL

**AAA PRODUCTS  
INTERNATIONAL**  
7114 Harry Hines Blvd  
Dallas, TX 75235

TITLE: 3/8" SUBPLATE, SNGL SOL, 2 POS,  
SPRING RTRN, ATEX,  
THREADED INDICATOR PIN

DRAWING NO.:  
DIM\_ESO3PTK

THE INFORMATION CONTAINED WITHIN THIS DOCUMENT IS PROPRIETARY TO AAA PRODUCTS AND MAY NOT BE DISCLOSED WITHOUT PRIOR WRITTEN CONSENT