

4

3

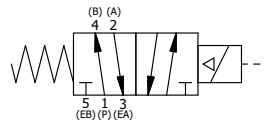
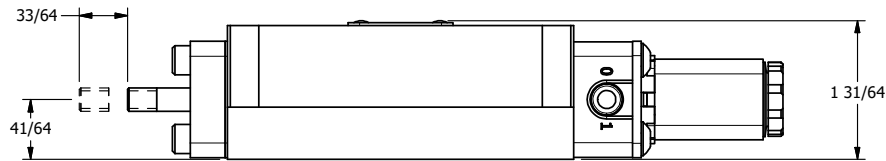
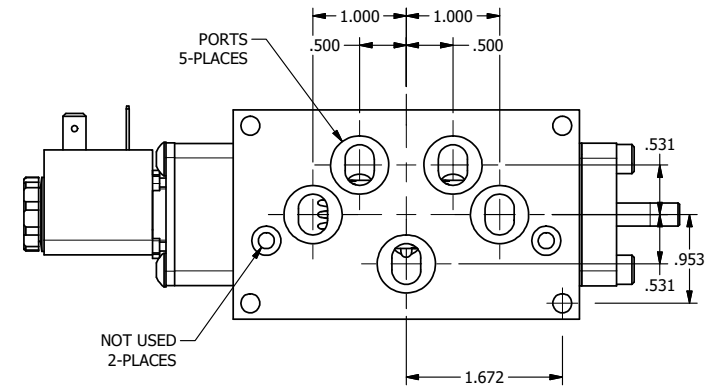
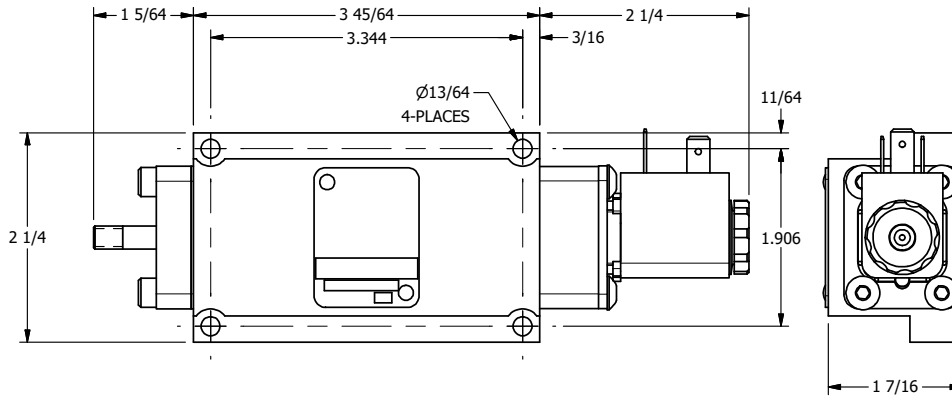
2

1

1/4-20 UNC X 3/8
THREADED PIN

EXTERNAL
PILOT

11mm/INDUSTRIAL TYPE B
DIN 43650 STYLE



AAA
PRODUCTS
INTERNATIONAL

**AAA PRODUCTS
INTERNATIONAL**
7114 Harry Hines Blvd
Dallas, TX 75235

TITLE 5/8" SUBPLATE, SNGL SOL, 2 POS,
SPRING RTRN,
THREADED INDCTR PIN, EXT PILOT

DRAWING NO.:
DIM_ESO3PKZ

THE INFORMATION CONTAINED WITHIN THIS DOCUMENT IS PROPRIETARY TO AAA PRODUCTS AND MAY NOT BE DISCLOSED WITHOUT PRIOR WRITTEN CONSENT

4

3

2

B

B

A

A

A

A