

4

3

2

1

B

B

A

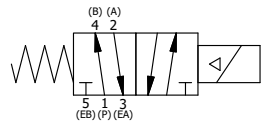
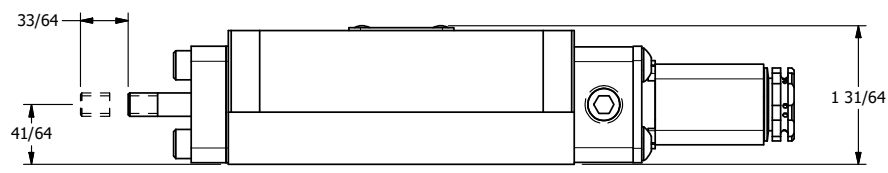
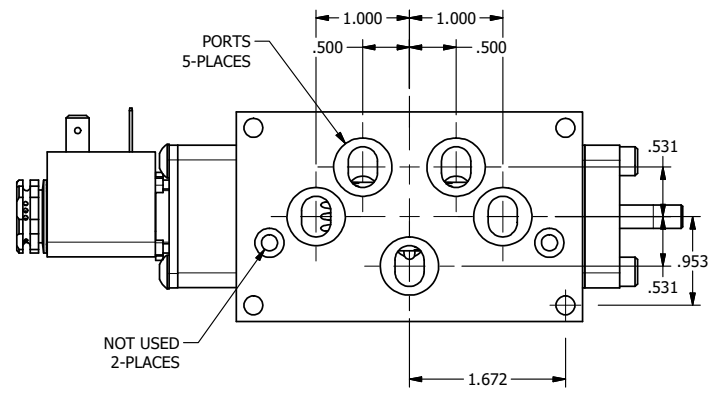
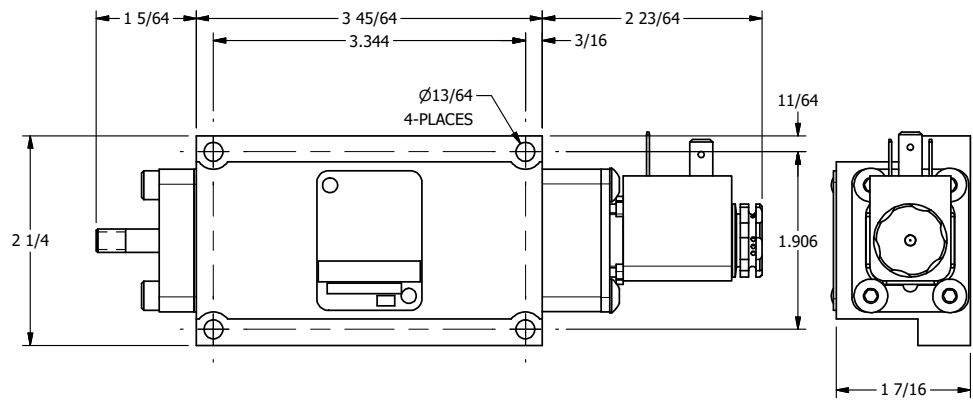
A

A

A

1/4-20 UNC X 3/8
THREADED PIN

11mm/INDUSTRIAL TYPE B
DIN 43650 STYLE



AAA
PRODUCTS
INTERNATIONAL

**AAA PRODUCTS
INTERNATIONAL**
7114 Harry Hines Blvd
Dallas, TX 75235

TITLE $5/8$ " SUBPLATE, SNGL SOL, 2 POS,
SPR RTRN,
THD PIN, SIDE VENT

DRAWING NO.:
DIM_ESO3PCK

THE INFORMATION CONTAINED WITHIN THIS DOCUMENT IS PROPRIETARY TO AAA PRODUCTS AND MAY NOT BE DISCLOSED WITHOUT PRIOR WRITTEN CONSENT