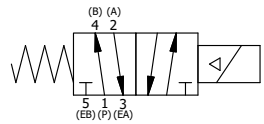
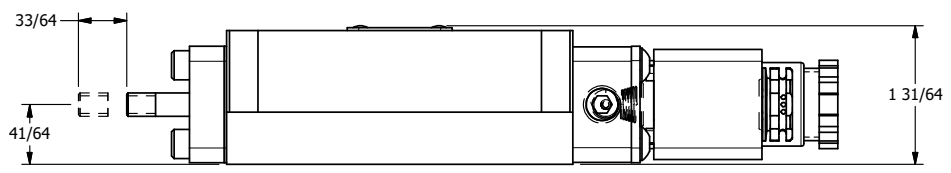
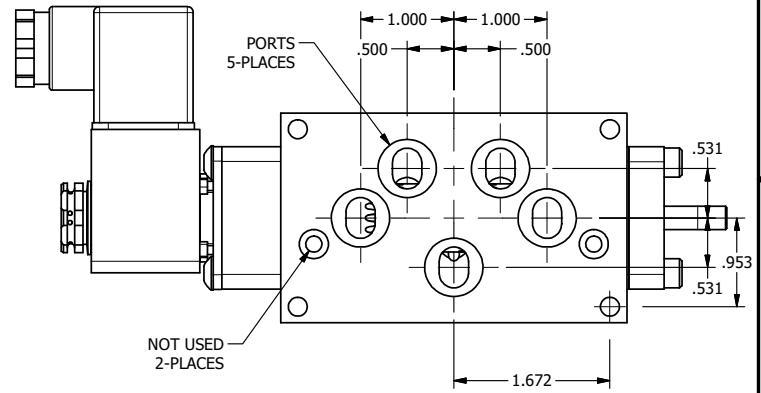
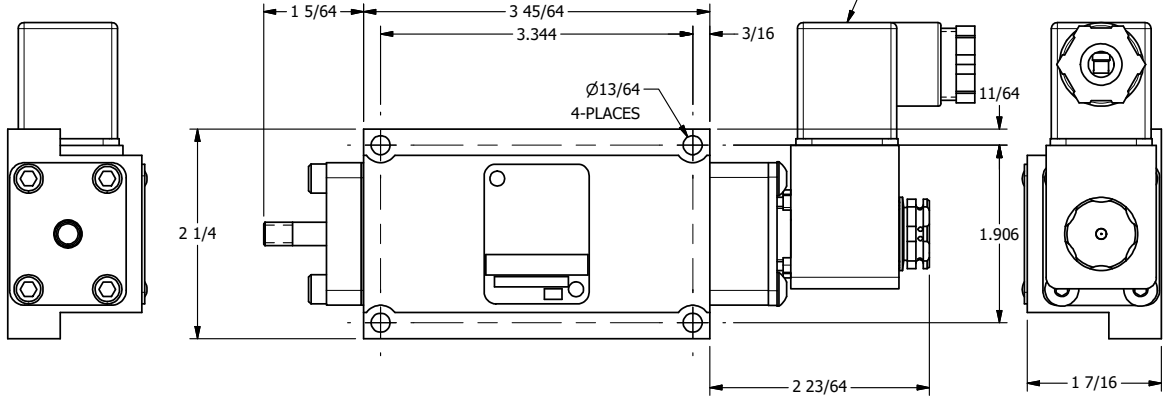


4 3 2 1

1/4-20 UNC X 3/8
THREADED PIN

3/8" CORD GRIP DIN CAP INCLUDED
FORM A, ACC. TO EN 175301-803,
ISO 4400



AAA
PRODUCTS
INTERNATIONAL

**AAA PRODUCTS
INTERNATIONAL**
7114 Harry Hines Blvd
Dallas, TX 75235

TITLE 3/8" SUBPLATE, SNGL SOL, 2 POS,
SPR RTRN, INTR SAFE,
SIDE VENT, THD PIN

DRAWING NO.:
DIM_ESO3PACK

4 3 2 1

THE INFORMATION CONTAINED WITHIN THIS DOCUMENT IS PROPRIETARY TO AAA PRODUCTS AND MAY NOT BE DISCLOSED WITHOUT PRIOR WRITTEN CONSENT