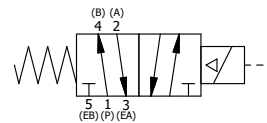
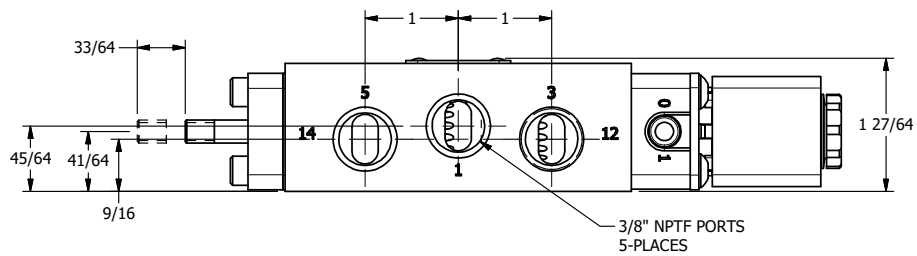
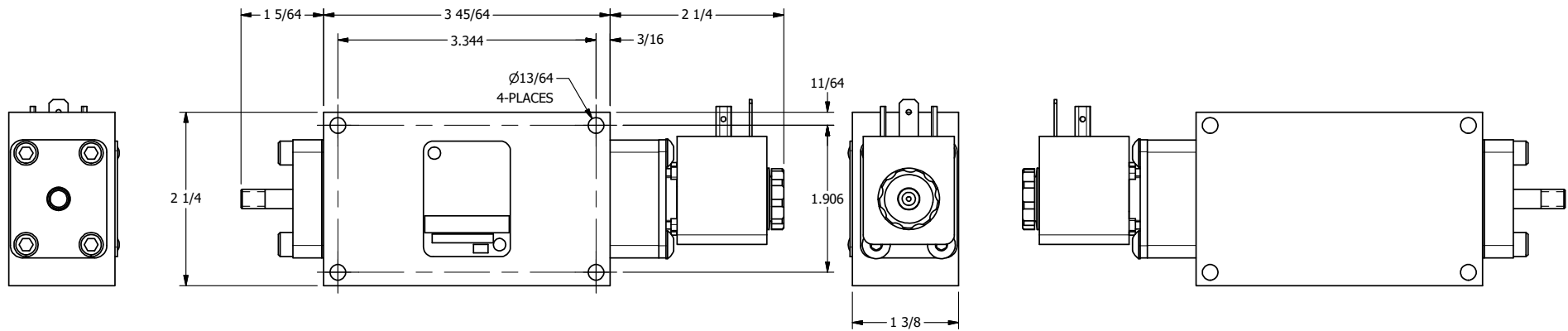
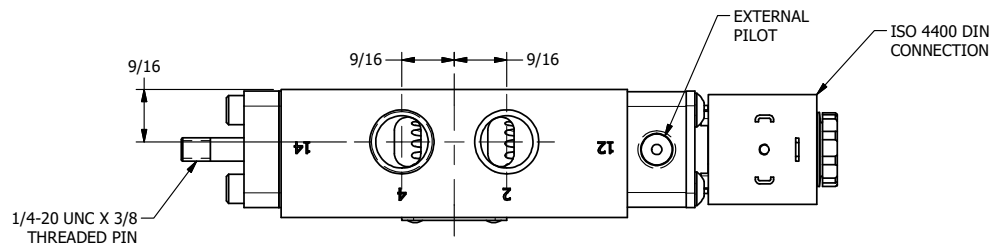


4 3 2 1



4 3 2



TITLE: 3/8" SIDE PORT, SNGL SOL, 2 POS, SPR RTRN, HIGH TMP COIL, THREADED INDCTR PIN, EXT PILOT

DRAWING NO.: DIM_ESO3HKZ

THE INFORMATION CONTAINED WITHIN THIS DOCUMENT IS PROPRIETARY TO AAA PRODUCTS AND MAY NOT BE DISCLOSED WITHOUT PRIOR WRITTEN CONSENT