

4

3

2

1

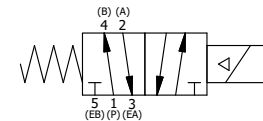
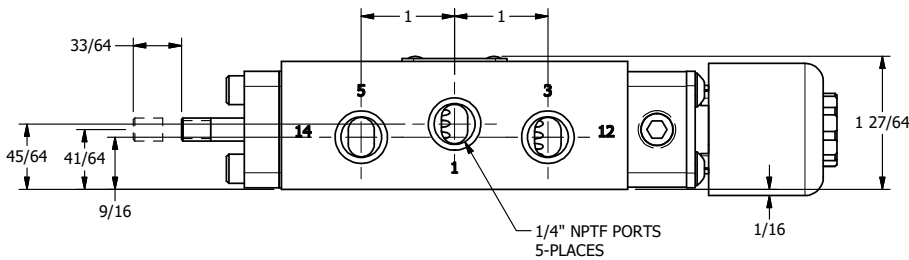
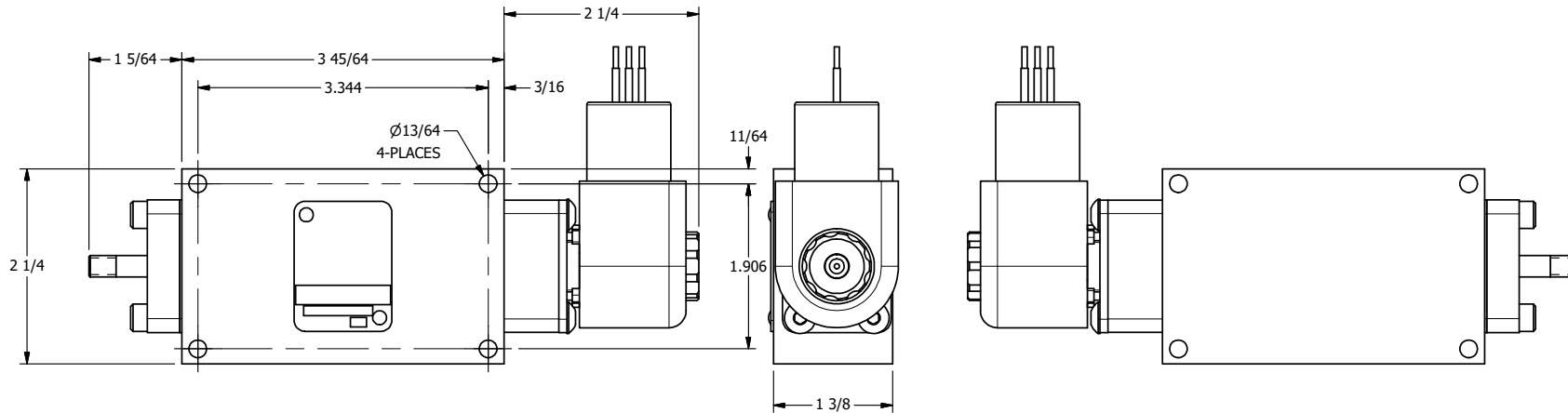
9/16
1/4-20 UNC X 3/8
THREADED PIN

9/16 9/16

1/2"-14 NPT
CONDUIT CONNECTION
18" LEADS, 3 WIRE

12

2



AAA
PRODUCTS
INTERNATIONAL

**AAA PRODUCTS
INTERNATIONAL**
7114 Harry Hines Blvd
Dallas, TX 75235

TITLE: 1/4" SIDE PORT, SNGL SOL, 2 POS,
SPRING RTRN, EXPL PROOF,
THREADED INDICATOR PIN

DRAWING NO.:
DIM_ES02XK

THE INFORMATION CONTAINED WITHIN THIS DOCUMENT IS PROPRIETARY TO AAA PRODUCTS AND MAY NOT BE DISCLOSED WITHOUT PRIOR WRITTEN CONSENT

4

3

2

