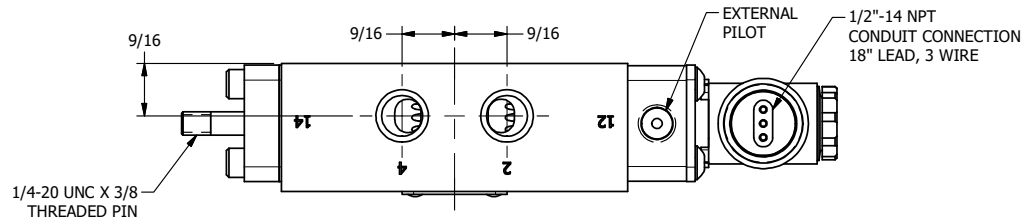
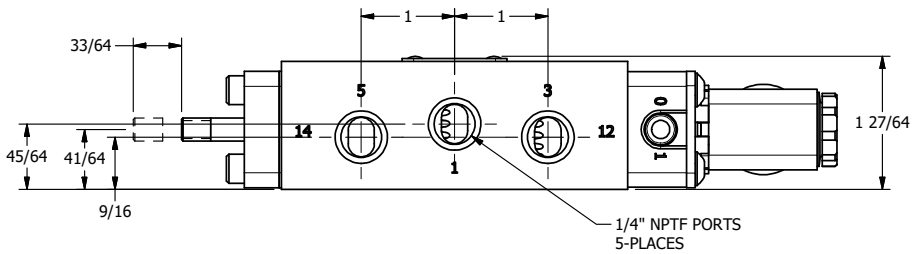
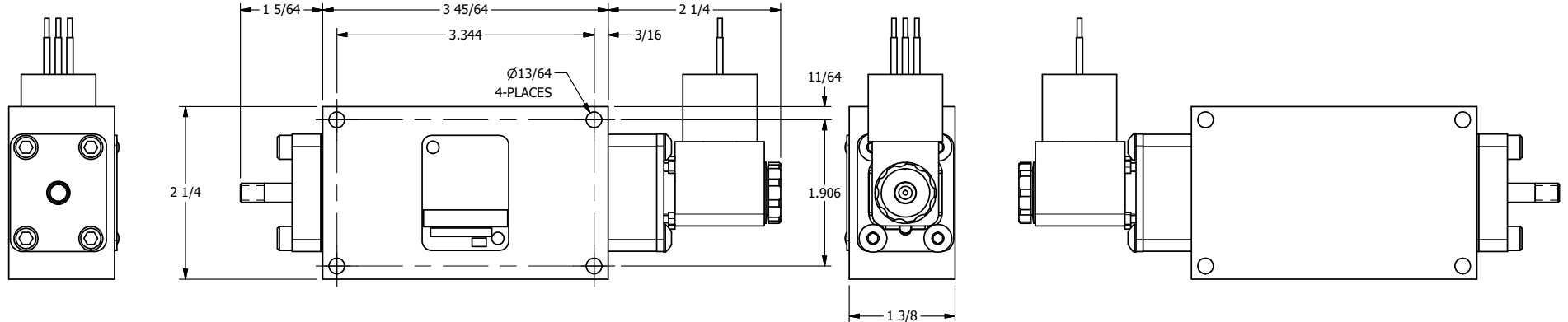


4 3 2 1

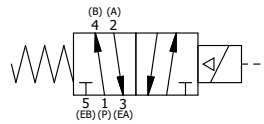


1/4-20 UNC X 3/8  
THREADED PIN

EXTERNAL  
PILOT  
1/2"-14 NPT  
CONDUIT CONNECTION  
18" LEAD, 3 WIRE



1/4" NPTF PORTS  
5-PLACES



**AAA**  
PRODUCTS  
INTERNATIONAL

**AAA PRODUCTS  
INTERNATIONAL**  
7114 Harry Hines Blvd  
Dallas, TX 75235

TITLE: 1/4" SIDE PORT, SNGL SOL, 2 POS,  
SPR RTRN, MOLD-OVER,  
THREADED INDCTR PIN, EXT PILOT

DRAWING NO.:  
DIM\_ESO2JKZ

4 3 2

THE INFORMATION CONTAINED WITHIN THIS DOCUMENT IS PROPRIETARY TO AAA PRODUCTS AND MAY NOT BE DISCLOSED WITHOUT PRIOR WRITTEN CONSENT