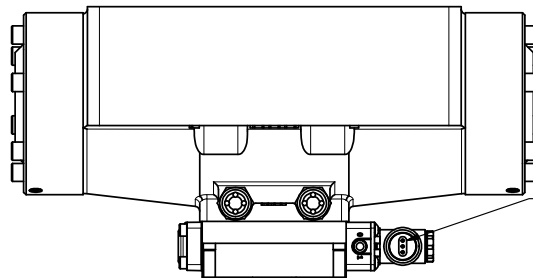


4

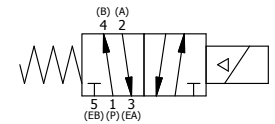
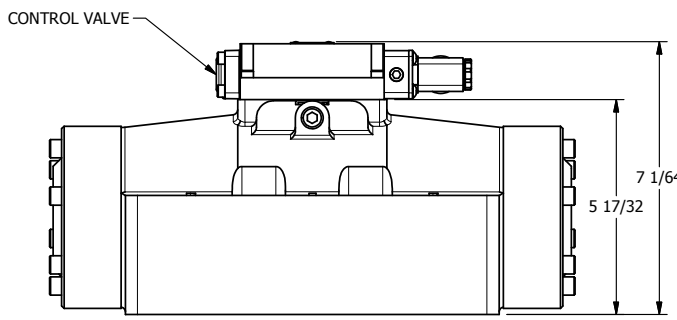
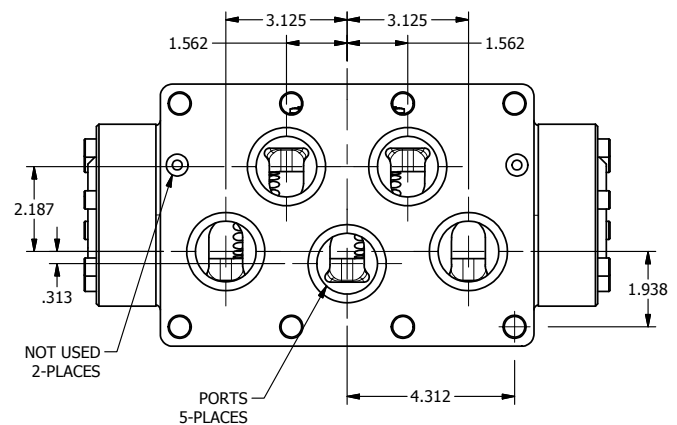
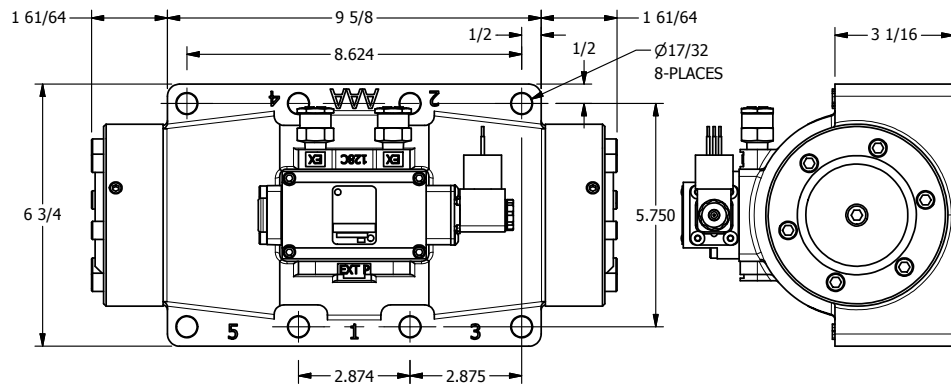
3

2

1



1/2"-14 NPT CONDUIT CONNECTION
18" LEAD, 3 WIRE



AAA
PRODUCTS
INTERNATIONAL

AAA PRODUCTS INTERNATIONAL
7114 Harry Hines Blvd
Dallas, TX 75235

TITLE: 2" SUBPLATE, SNGL SOL, 2 POS,
SPR RTRN, MOLD-OVER

DRAWING NO.:
DIM_ESO16PJ

THE INFORMATION CONTAINED WITHIN THIS DOCUMENT IS PROPRIETARY TO AAA PRODUCTS AND MAY NOT BE DISCLOSED WITHOUT PRIOR WRITTEN CONSENT

4

3

2

1