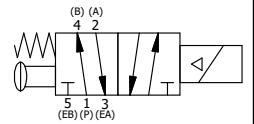
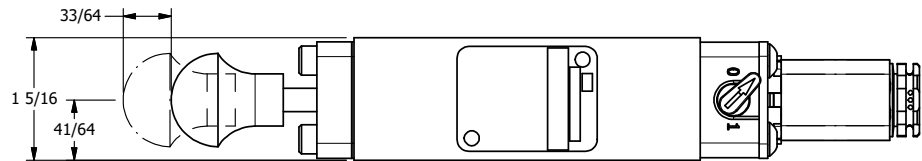
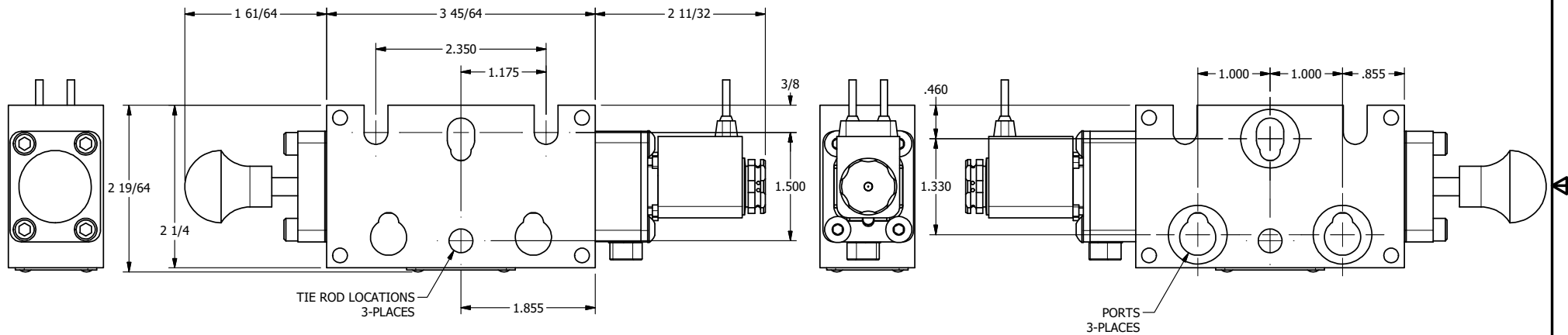
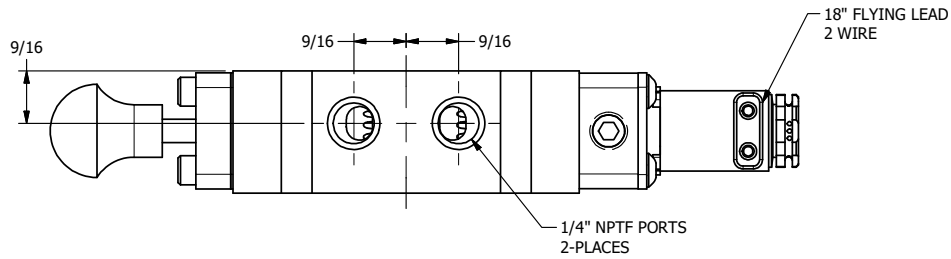


4 3 2 1



TITLE: 1/4" STACK, SNGL SOL, 2 POS,
SPR RTRN, FLYING LEAD,
LCKNG OVRD, SIDE VENT, THD PIN

DRAWING NO.:
DIM_EBSO2MOCOS

4 3 2

THE INFORMATION CONTAINED WITHIN THIS DOCUMENT IS PROPRIETARY TO AAA PRODUCTS AND MAY NOT BE DISCLOSED WITHOUT PRIOR WRITTEN CONSENT