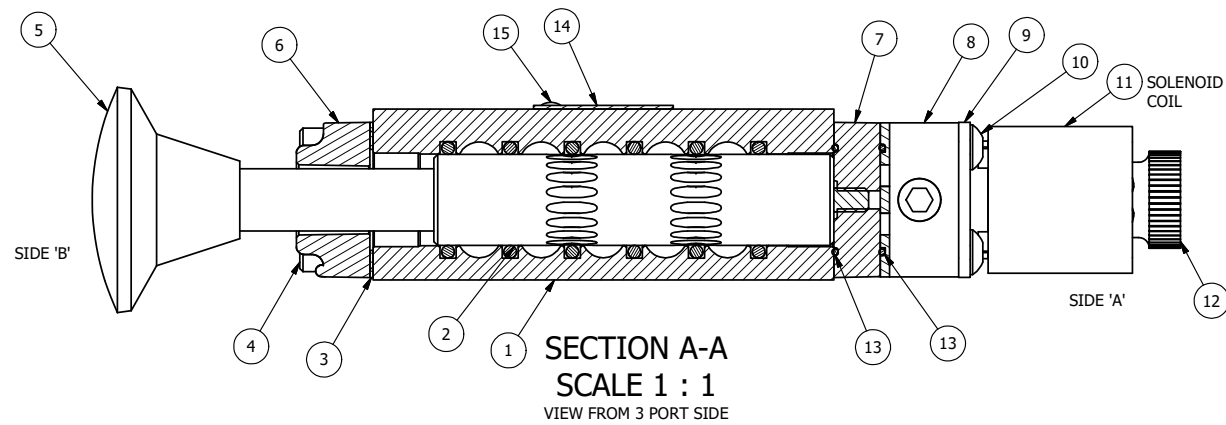


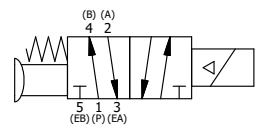
ALIGN PILOTS IN BODY, END CAP AND SOLENOID



SECTION A-A
SCALE 1 : 1
VIEW FROM 3 PORT SIDE

| FLG | QTY | PART NO | DESCRIPTION |
|-----|-----|----------|--|
| 15 | 2 | V-212 | SCREW, #2 X 3/16 DRIVE, TYPE U, OVAL HEAD, STAINLESS STEEL |
| 14 | 1 | AN-114 | NAMEPLATE, BLANK, FOR VALVES WITH SPRINGS OR DETENTS |
| 13 | 2 | EMG3 | GASKET - END MOUNT SOLENOID, BUNA-N, 1/4" & 3/8" VALVES |
| 12 | 1 | V-567W | E SERIES SINTERED BRONZE MUFFLER, DUST EXCLUDER, V-613 LOCK WASHER |
| 11 | 1 | V-603-1 | COIL HI-TEMP. 8-30T 120/60. NASS # 0558 55.1-00/7121. |
| 10 | 4 | V-601 | SCREW, 10-24 X 1-1/2, BUTTON HEAD SOCKET CAP WITH MICROSPHERE ADHESIVE |
| 9 | 1 | SEC3-7 | PLATE, RE-INFORCEMENT, SOLENOID, STAMPED, 304 STAINLESS |
| 8 | 1 | V-599-1 | SOL OPER, END MOUNT, LOCKING O'RIDE |
| 7 | 1 | AY-ESAK3 | ASSY - NO DETENT, RTRN TO POS C, END MNT SOL W/PALM OVRD, 1/4" & 3/8" VALVES |
| 6 | 1 | PEC3-2 | END CAP, PALM, 380 AL, 1/4" & 3/8" VALVE |
| 5 | 1 | V-71 | KNOB, BLACK, PALM, (BRASS 5/16-18 INSERT), 1-13/16 DIA X 1-3/8 HEIGHT |
| 4 | 4 | V-38 | SCREW, 10-24 X 3/4, SOCKET HEAD CAP |
| 3 | 1 | ECG3 | GASKET - END CAP, 1/4" & 3/8" VALVE |
| 2 | 6 | V-39 | O-RING, VITON, STD BODY, 1/4" & 3/8" VALVES |
| 1 | 1 | B3-1E | BODY - SOLID, BUTTON BLEEDER, ANODIZED, 3/8" SIDE PORT VALVE |

NOTES:
1) ALWAYS GIVE VALVE MODEL AND PART NUMBER WHEN ORDERING PARTS.
2) FOR DIFFERENT VOLTAGES OTHER THAN 120/60, REPLACE SOLENOID COIL WITH COIL LISTED IN TABLE BELOW.



| COIL VOLTAGES | |
|----------------|--------------|
| PART NO | REPLACE COIL |
| ESAK3HOL 12VDC | V-603-2 |

| | | | | |
|--|-----------------|--|-----------------------|--|
| LIMITS ON DIMENSIONS UNLESS OTHERWISE SPECIFIED | | 2-PL DECIMAL ± .01 3-PL DECIMAL ± .005 FRACTIONAL ± 1/64 ANGULAR ± 1/2° | | AAA PRODUCTS INTERNATIONAL 7114 Harry Hines Blvd Dallas, TX 75235 |
| DRAWN: RMckenna | DATE: 3/29/2021 | CHECKED: KWaite | DATE: 3/29/2021 | |
| SCALE: 1 : 1 | SHEET: 1 OF 1 | RELEASED: HWomack | DATE: 3/29/2021 | |
| TITLE: 3/8" SIDE PORT, SNGL SOL, 2 POS, SPR RTRN, H-TMP COIL, 120/60, LCKNG OVRD, EXCLDR, PALM ASSIST | | | PART NO.: ESAK3HOL | REV.: |

THE INFORMATION CONTAINED WITHIN THIS DOCUMENT IS PROPRIETARY TO AAA PRODUCTS AND MAY NOT BE DISCLOSED WITHOUT PRIOR WRITTEN CONSENT