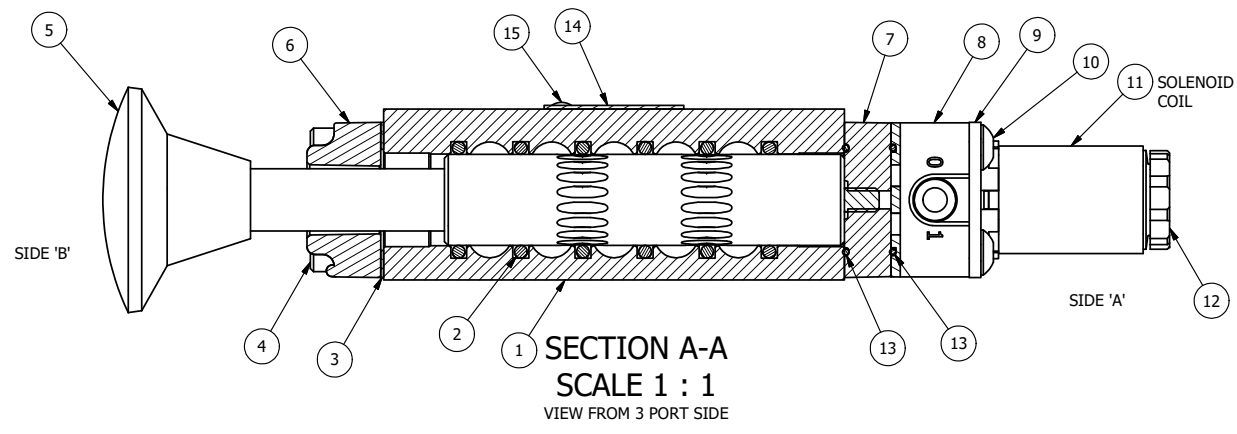
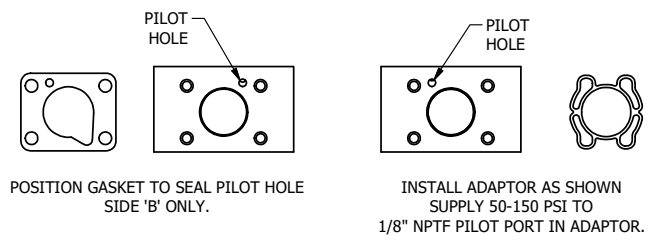
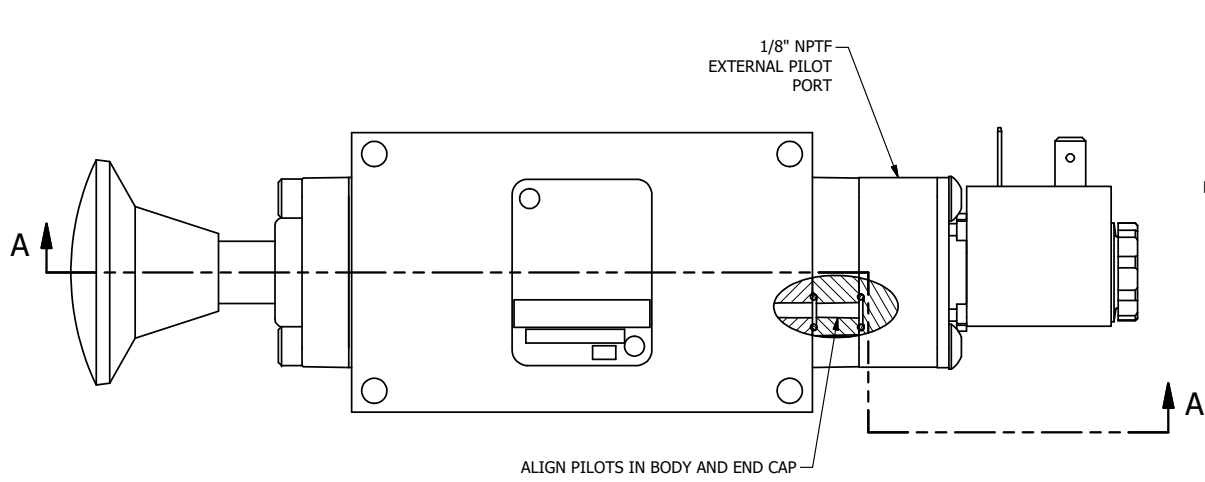


4

3

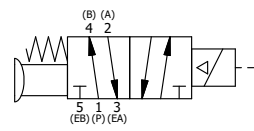
2

1



|     |     |          |  |
|-----|-----|----------|--|
| 15  | 2   | V-212    | SCREW, #2 X 3/16 DRIVE, TYPE U, OVAL HEAD, STAINLESS STEEL                   |
| 14  | 1   | AN-114   | NAMEPLATE, BLANK, FOR VALVES WITH SPRINGS OR DETENTS                         |
| 13  | 2   | EMG3     | GASKET - END MOUNT SOLENOID, BUNA-N, 1/4" & 3/8" VALVES                      |
| 12  | 1   | V-556    | NUT, SOLENOID, TOP EXHAUST, KNURLED  |
| 11  | 1   | V-551-1  | THERMOPLASTIC ENCAPSULATED COIL 120V 50/60HZ, NASS P/N # 108-030-0455        |
| 10  | 4   | V-601    | SCREW, 10-24 X 1-1/2, BUTTON HEAD SOCKET CAP WITH MICROSPHERE ADHESIVE       |
| 9   | 1   | SEC3-7   | PLATE, RE-INFORCEMENT, SOLENOID, STAMPED, 304 STAINLESS                      |
| 8   | 1   | V-550-1  | SOL OPER, END MOUNT, NON-LOCKING O/RIDE                                      |
| 7   | 1   | AY-ESAK3 | ASSY - NO DETENT, RTRN TO POS C, END MNT SOL W/PALM OVRD, 1/4" & 3/8" VALVES |
| 6   | 1   | PEC3-2   | END CAP, PALM, 380 AL, 1/4" & 3/8" VALVE                                     |
| 5   | 1   | V-71     | KNOB, BLACK, PALM, (BRASS 5/16-18 INSERT), 1-13/16 DIA X 1-3/8 HEIGHT        |
| 4   | 4   | V-38     | SCREW, 10-24 X 3/4, SOCKET HEAD CAP  |
| 3   | 1   | ECG3     | GASKET - END CAP, 1/4" & 3/8" VALVE  |
| 2   | 6   | V-39     | O-RING, VITON, STD BODY, 1/4" & 3/8" VALVES                                  |
| 1   | 1   | B2-1E    | BODY - SOLID, BUTTON BLEEDER, ANODIZED, 1/4" SIDE PORT VALVE                 |
| FLG | QTY | PART NO  | DESCRIPTION  |

NOTES:  
 1) ALWAYS GIVE VALVE MODEL AND PART NUMBER WHEN ORDERING PARTS.  
 2) FOR DIFFERENT VOLTAGES OTHER THAN 120/60, REPLACE SOLENOID COIL WITH COIL LISTED IN TABLE BELOW.



| COIL VOLTAGES |              |
|---------------|--------------|
| PART NO       | REPLACE COIL |
| ESAK2Z 12VDC  | V-551-2      |
| ESAK2Z 24VDC  | V-551-3      |
| ESAK2Z 240/60 | V-551-4      |

|  |                 |  |                            |  |
|--|-----------------|--|----------------------------|--|
| LIMITS ON DIMENSIONS<br>UNLESS OTHERWISE SPECIFIED                                       |                 | 2-PL DECIMAL ± .01<br>3-PL DECIMAL ± .005<br>FRACTIONAL ± 1/64<br>ANGULAR ± 1/2° |                            | <b>AAA PRODUCTS INTERNATIONAL</b><br>7114 Harry Hines Blvd<br>Dallas, TX 75235 |
| DRAWN: RMckenna  | DATE: 4/20/2021 | CHECKED: KWaite  | DATE: 4/20/2021            |  |
| SCALE: 1:1   | SHEET: 1 OF 1   | RELEASED: HWomack  | DATE: 4/20/2021            |  |
| TITLE:<br><b>1/4" SIDE PORT, SNGL SOL, 2 POS, SPR RTRN, 120/60, PALM ASST, EXT PILOT</b> |                 |  | PART NO.:<br><b>ESAK2Z</b> | REV.:  |

THE INFORMATION CONTAINED WITHIN THIS DOCUMENT IS PROPRIETARY TO AAA PRODUCTS AND MAY NOT BE DISCLOSED WITHOUT PRIOR WRITTEN CONSENT

4

3

2

1

P:\Engineering\Products\Valves\AssemblyStandards\ESAK2Z\ESAK2Z.dwg