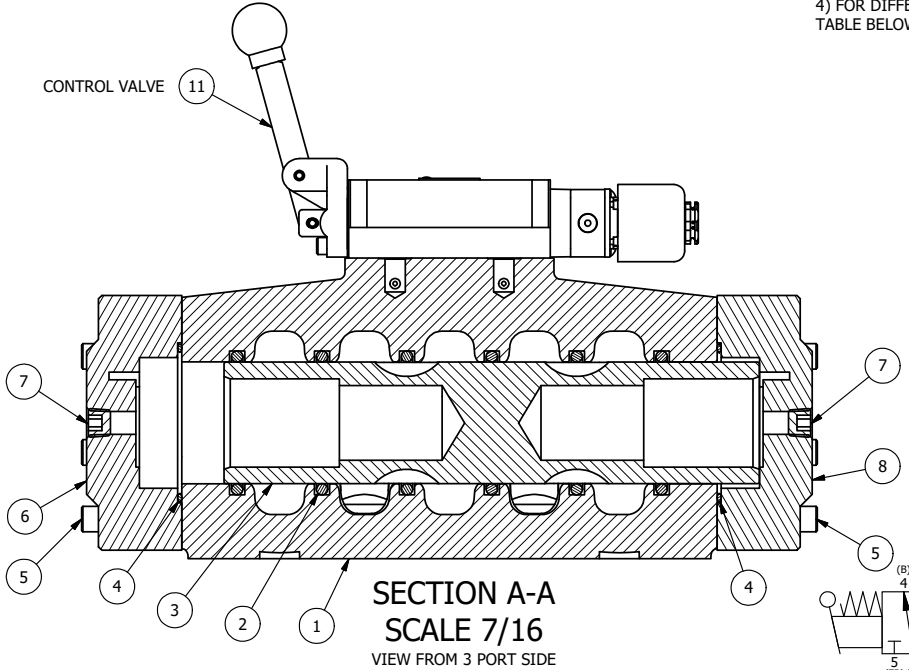


- NOTES:
- 1) ALWAYS GIVE VALVE MODEL AND PART NUMBER WHEN ORDERING.
  - 2) OPEN MUFFLER 2 TURNS FROM CLOSED POSITION. TIGHTEN LOCK NUT ON MUFFLER.
  - 3) INSTALL MUFFLER WITH MAGNALUBE-G GREASE 1 TO 1-1/2 TURNS FROM HAND TIGHT INTO BODY.
  - 4) FOR DIFFERENT VOLTAGES OTHER THAN 120/60, REPLACE TOP CONTROL VALVE WITH VALVE LISTED IN TABLE BELOW.

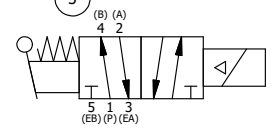
THE FOLLOWING PARTS ARE INCLUDED WITH THE SUBPLATE VALVE AND ARE USED TO ASSEMBLE.

QTY	PART NO	DESCRIPTION
5	V-92	O-RING, BUNA-N, 70 DURO, AS-014, (REF 1/2 X 5/8 X 1/16), 3/8" SUBPLATE
4	V-35	SCREW, 10-24 X 7/8, SOCKET HEAD CAP

FLG	QTY	PART NO	DESCRIPTION
	12	1	SPK-16 KIT - SUBPLATE MOUNT, 2" SUBPLATE VALVES
	11	1	ESAH3PXC 3/8" SUBPLATE, SNGL SOL, 2 POS, SPR RTRN, EXPL PROOF, 120/60, LEVER ASSIST, SIDE VENT
	10	2	MFC2 ASSEMBLY - MUFFLER FLOW CONTROL, 1/4" NPT
	9	2	V-231 PLUG, SOCKET PRESSURE 1/16-27X 7/8 TAPER FOR 122V,192V, FOR EC
	8	2	V-89 O-RING, BUNA-N, 70 DURO, AS-110, (REF 3/8 X 9/16 X 3/32), 1" & 2" SUBPLATE PILOT
	7	3	V-337 PLUG, SOCKET 1/4-18 FLUSH SEAL PLUG
	6	2	PEC12E END CAP - PILOT, SOLID, 6061-T6 AL, 1-1/2" & 2" VALVES
	5	12	V-143 SCREW, 5/16-18 X 2, SOCKET HEAD CAP
	4	2	V-124 O-RING, BUNA-N, 70 DURO, AS-231, (REF 2-5/8 X 2-7/8 X 1/8), 2 POS, 1-1/2" & 2" VALVES
	3	1	S12 SPOOL - STANDARD, 2 POS - 3 POS CLOSED CTR, 1 1/2" & 2" VALVE
	2	6	V-123 O-RING, BUNA-N, 70 DURO, AS-331, (REF 2-1/4 X 2-5/8 X 3/16), 1-1/2" & 2" VALVES
	1	1	BP16-6 BODY, 2" SUBPLATE, PIGGY BACK



SECTION A-A  
SCALE 7/16  
VIEW FROM 3 PORT SIDE



COIL VOLTAGES	
PART NO	REPLACE WITH
ESAH16PXC 12VDC	ESAH3PXC 12VDC
ESAH16PXC 24VDC	ESAH3PXC 24VDC
ESAH16PXC 240/60	ESAH3PXC 240/60

LIMITS ON DIMENSIONS UNLESS OTHERWISE SPECIFIED

2-PL DECIMAL ± .01  
3-PL DECIMAL ± .005  
FRACTIONAL ± 1/64  
ANGULAR ± 1/2°

DRAWN: RMckenna DATE: 4/12/2021  
SCALE: 1/2 SHEET: 1 OF 1



CHECKED: KWaite DATE: 4/12/2021	REV.:
RELEASED: HWomack DATE: 4/12/2021	
TITLE: 2" SUBPLATE, SNGL SOL, 2 POS, SPR RTRN, EXPL PROOF, 120/60, LEVER ASSIST, SIDE VENT	PART NO.: ESAH16PXC

THE INFORMATION CONTAINED WITHIN THIS DOCUMENT IS PROPRIETARY TO AAA PRODUCTS AND MAY NOT BE DISCLOSED WITHOUT PRIOR WRITTEN CONSENT

P:\Engineering\product\valves\assembly\standards\AAADWG\ESAH16PXC.dwg