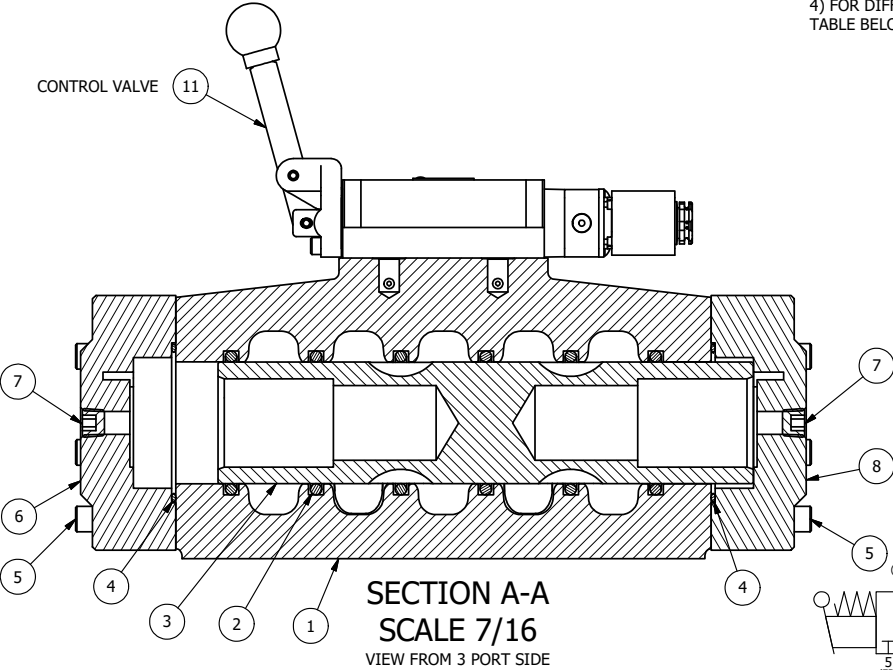


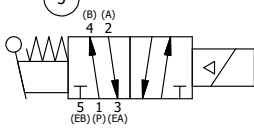
- NOTES:
- 1) ALWAYS GIVE VALVE MODEL AND PART NUMBER WHEN ORDERING.
 - 2) OPEN MUFLER 2 TURNS FROM CLOSED POSITION. TIGHTEN LOCK NUT ON MUFLER.
 - 3) INSTALL MUFLER WITH MAGNALUBE-G GREASE 1 TO 1-1/2 TURNS FROM HAND TIGHT INTO BODY.
 - 4) FOR DIFFERENT VOLTAGES OTHER THAN 120/60, REPLACE TOP CONTROL VALVE WITH VALVE LISTED IN TABLE BELOW.

THE FOLLOWING PARTS ARE INCLUDED WITH THE SUBPLATE VALVE AND ARE USED TO ASSEMBLE.

QTY	PART NO	DESCRIPTION
5	V-92	O-RING, BUNA-N, 70 DURO, AS-014, (REF 1/2 X 5/8 X 1/16), 3/8" SUBPLATE
4	V-35	SCREW, 10-24 X 7/8, SOCKET HEAD CAP



FLG	QTY	PART NO	DESCRIPTION
11	1	ESAH3PHOC	3/8" SUBPLATE, SNGL SOL, 2 POS, SPR RTRN, H-TMP COIL, 120/60, LEVER ASST, LCKNG OVRD, SIDE VENT
10	2	MFC2	ASSEMBLY - MUFLER FLOW CONTROL, 1/4" NPT
9	2	V-231	PLUG, SOCKET PRESSURE 1/16-27X 7/8 TAPER FOR 122V,192V, FOR EC
8	2	V-89	O-RING, BUNA-N, 70 DURO, AS-110, (REF 3/8 X 9/16 X 3/32), 1" & 2" SUBPLATE PILOT
7	3	V-337	PLUG, SOCKET 1/4-18 FLUSH SEAL PLUG
6	2	PEC12E	ENDCAP - PILOT, SOLID, 6061-T6 AL, 1-1/2" & 2" VALVES
5	12	V-143	SCREW, 5/16-18 X 2, SOCKET HEAD CAP
4	2	V-124	O-RING, BUNA-N, 70 DURO, AS-231, (REF 2-5/8 X 2-7/8 X 1/8), 2 POS, 1-1/2" & 2" VALVES
3	1	S12	SPOOL - STANDARD, 2 POS - 3 POS CLOSED CTR, 1 1/2" & 2" VALVE
2	6	V-123	O-RING, BUNA-N, 70 DURO, AS-331, (REF 2-1/4 X 2-5/8 X 3/16), 1-1/2" & 2" VALVES
1	1	B12-6	BODY, 1 1/2" SIDE PORT, PIGGY BACK



COIL VOLTAGES	
PART NO	REPLACE WITH
ESAH12HOC 12VDC	ESAH3PHOC 12VDC

LIMITS ON DIMENSIONS UNLESS OTHERWISE SPECIFIED

2-PL DECIMAL ± .01
3-PL DECIMAL ± .005
FRACTIONAL ± 1/64
ANGULAR ± 1/2°

AAA PRODUCTS INTERNATIONAL
7114 Harry Hines Blvd
Dallas, TX 75235

DRAWN: RMckenna	DATE: 4/17/2021	CHECKED: KWaite	DATE: 4/17/2021
SCALE: 1/2	SHEET: 1 OF 1	RELEASED: HWomack	DATE: 4/17/2021
TITLE: 1-1/2" SIDE PORT, SNGL SOL, 2 POS, SPR RTRN, H-TMP COIL, 120/60, LEVER ASST, LCKNG OVRD, SIDE VENT		PART NO.: ESAH12HOC	REV.:

THE INFORMATION CONTAINED WITHIN THIS DOCUMENT IS PROPRIETARY TO AAA PRODUCTS AND MAY NOT BE DISCLOSED WITHOUT PRIOR WRITTEN CONSENT

P:\Engineering\product\valves\assembly\standards\AAA\DWG\ESAH12HOC.dwg