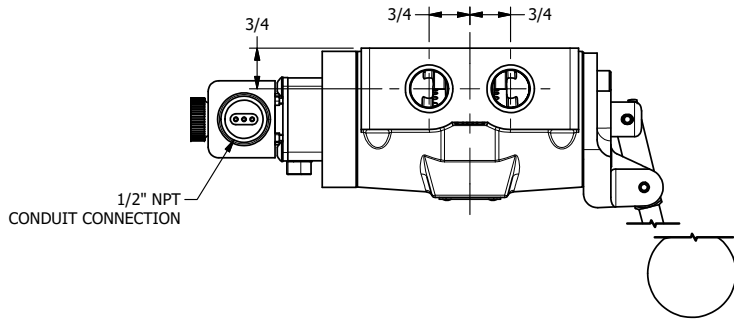


4

3

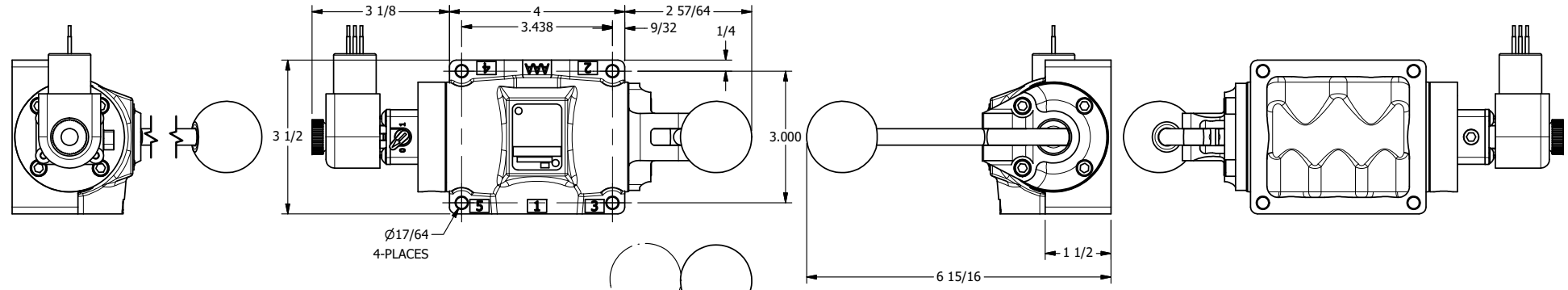
2

1



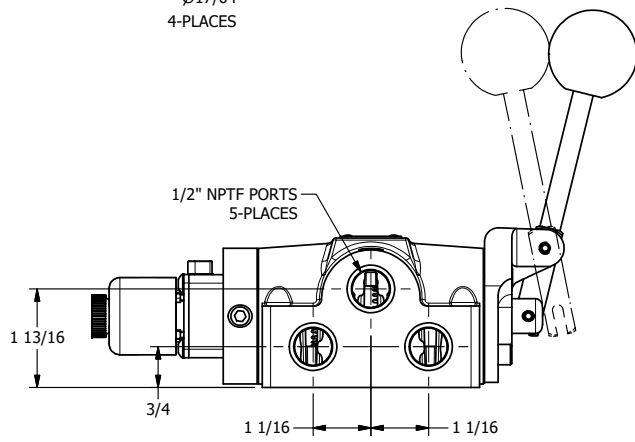
B

B



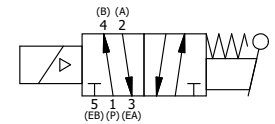
A

A



A

A



**AAA**  
PRODUCTS  
INTERNATIONAL

**AAA PRODUCTS  
INTERNATIONAL**  
7114 Harry Hines Blvd  
Dallas, TX 75235

TITLE: 1/2" SIDE PORT, SNGL SOL, 2 POS,  
SPR RTRN, EXPL PROOF,  
LEVER ASST, EXCLDR, SIDE VENT

DRAWING NO.:  
DIM\_ESAH4XOL

4

3

2

1



THE INFORMATION CONTAINED WITHIN THIS DOCUMENT IS PROPRIETARY TO AAA PRODUCTS AND MAY NOT BE DISCLOSED WITHOUT PRIOR WRITTEN CONSENT