

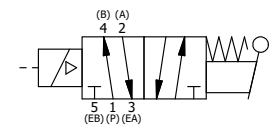
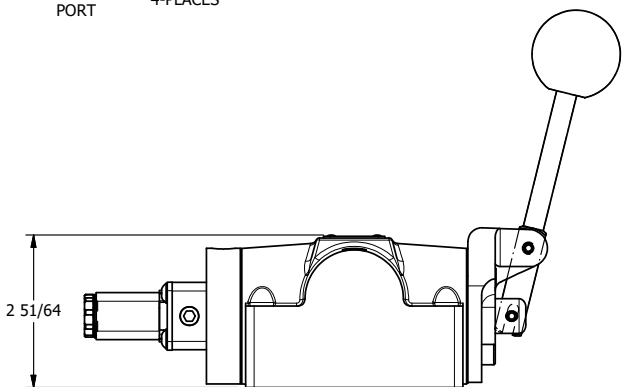
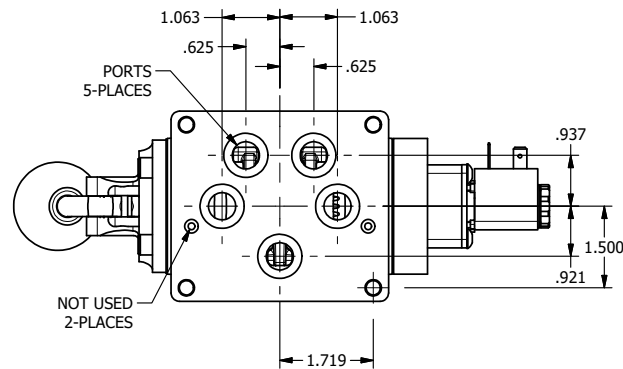
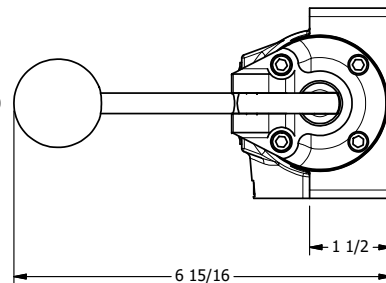
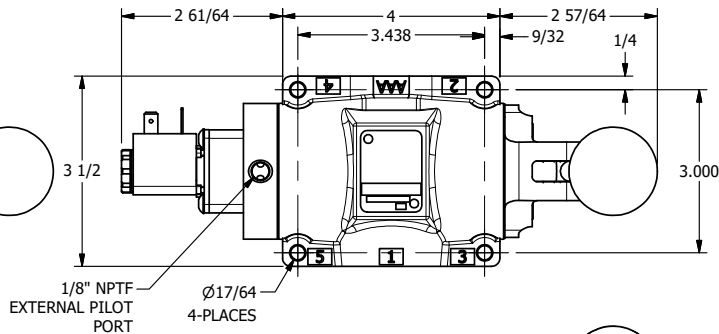
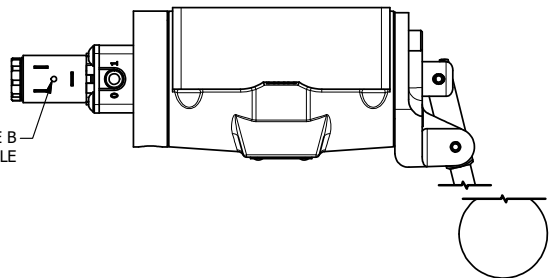
4

3

2

1

11mm/INDUSTRIAL TYPE B
DIN 43650 STYLE



AAA
PRODUCTS
INTERNATIONAL
**AAA PRODUCTS
INTERNATIONAL**
7114 Harry Hines Blvd
Dallas, TX 75235

TITLE: 1/2" SUBPLATE, SNGL SOL, 2 POS,
SPR RTRN, LEVER ASSIST
LEVER ASST, EXT PILOT

DRAWING NO.:
DIM_ESAH4PZ

THE INFORMATION CONTAINED WITHIN THIS DOCUMENT IS PROPRIETARY TO AAA PRODUCTS AND MAY NOT BE DISCLOSED WITHOUT PRIOR WRITTEN CONSENT

4

3

2

1