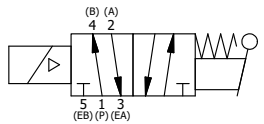
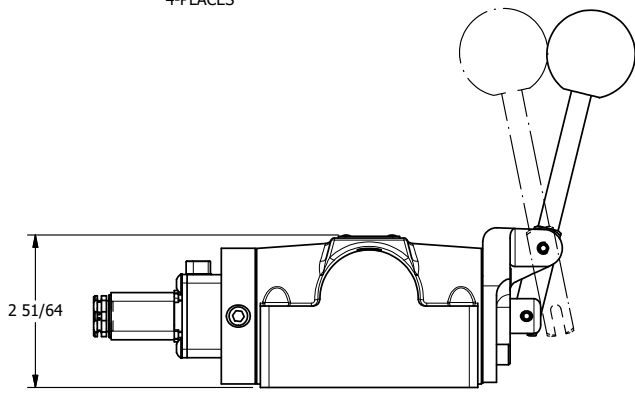
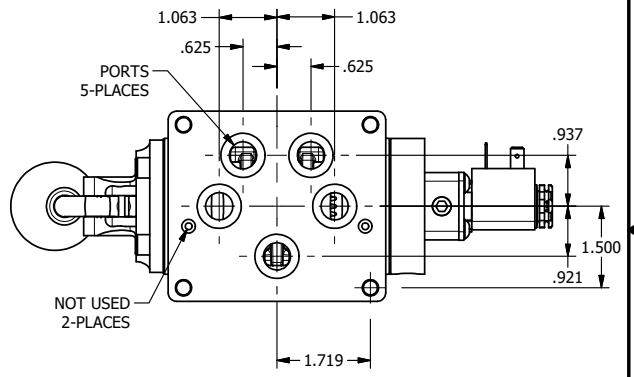
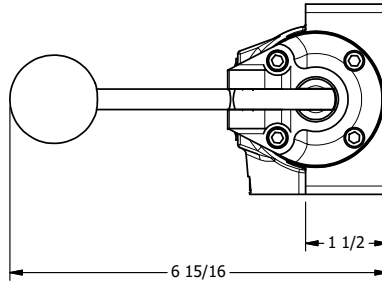
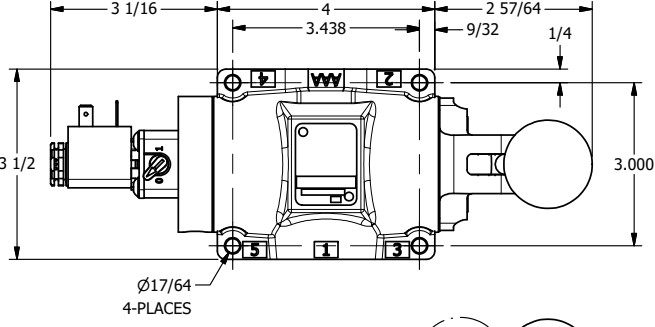
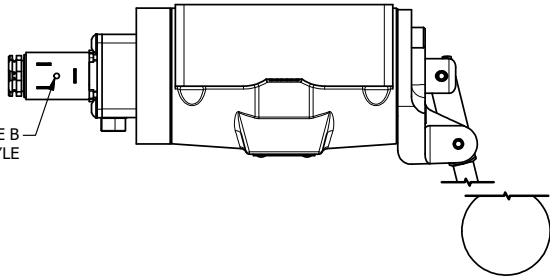


4 3 2 1

11mm/INDUSTRIAL TYPE B
DIN 43650 STYLE



B

B

A

A

4 3 2 1

AAA
PRODUCTS
INTERNATIONAL

**AAA PRODUCTS
INTERNATIONAL**
7114 Harry Hines Blvd
Dallas, TX 75235

TITLE: 1/2" SUBPLATE, SNGL SOL, 2 POS,
SPR RTRN,
LEVER ASST, LCKNG OVRD, SIDE VENT

DRAWING NO.:
DIM_ESAH4POC

THE INFORMATION CONTAINED WITHIN THIS DOCUMENT IS PROPRIETARY TO AAA PRODUCTS AND MAY NOT BE DISCLOSED WITHOUT PRIOR WRITTEN CONSENT