

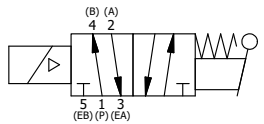
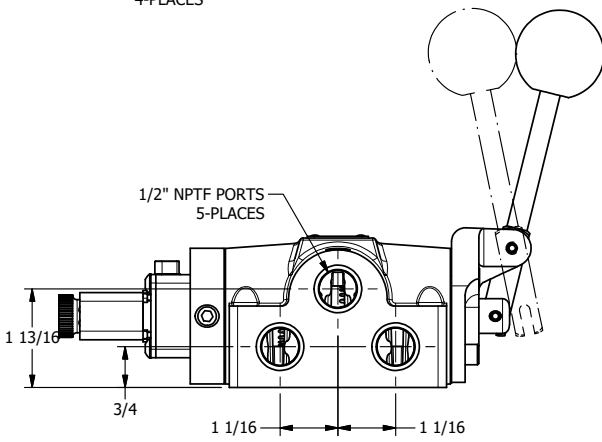
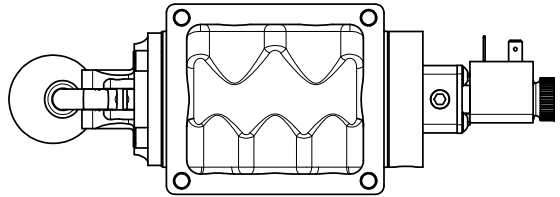
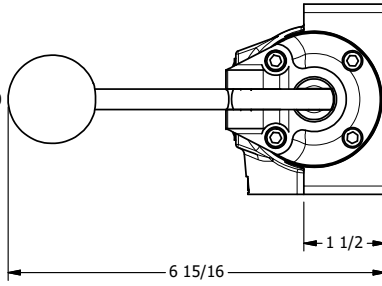
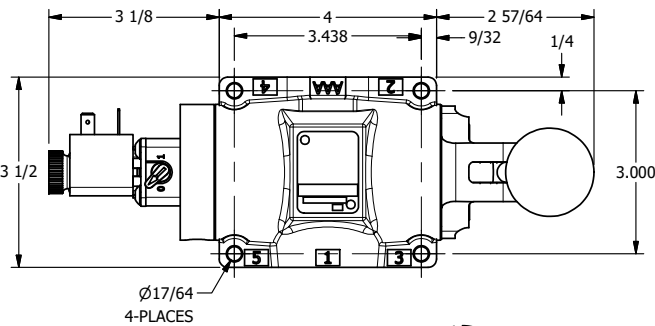
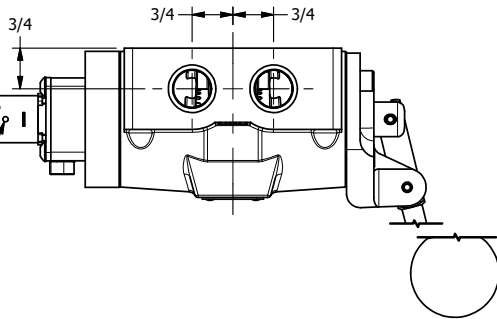
4

3

2

1

11mm/INDUSTRIAL TYPE B  
DIN 43650 STYLE



**AAA**  
PRODUCTS  
INTERNATIONAL

**AAA PRODUCTS  
INTERNATIONAL**  
7114 Harry Hines Blvd  
Dallas, TX 75235

TITLE: 1/2" SIDE PORT, SNGL SOL, 2 POS,  
SPR RTRN,  
LEVER ASST, EXCLDR, SIDE VENT

DRAWING NO.:  
DIM\_ESAH40L

THE INFORMATION CONTAINED WITHIN THIS DOCUMENT IS PROPRIETARY TO AAA PRODUCTS AND MAY NOT BE DISCLOSED WITHOUT PRIOR WRITTEN CONSENT

4

3

2

1

B

B

A

A

