

4

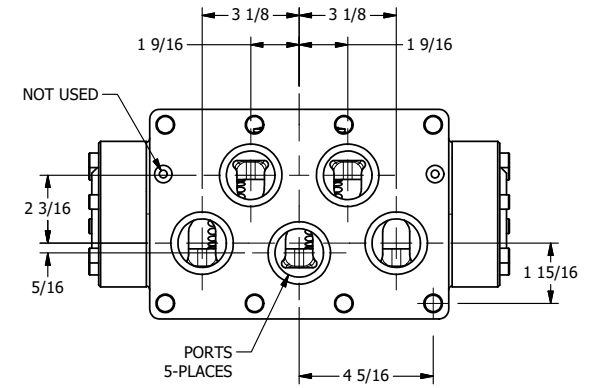
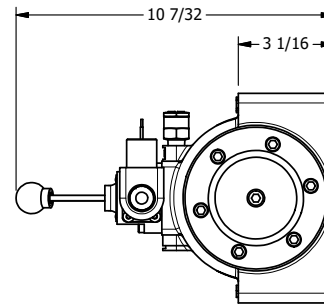
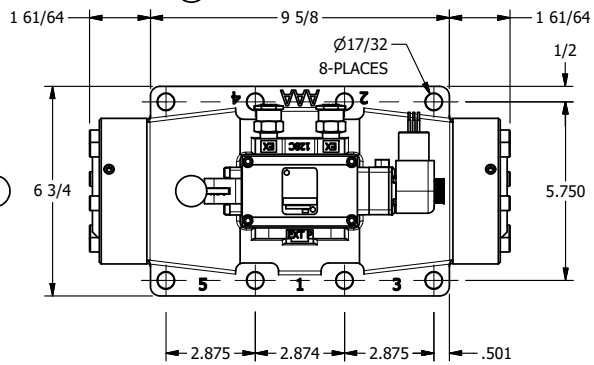
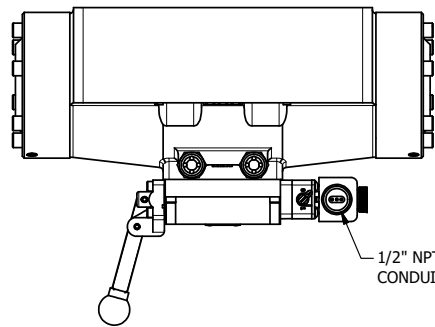
3

2

1

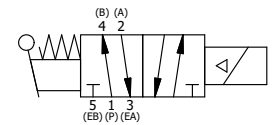
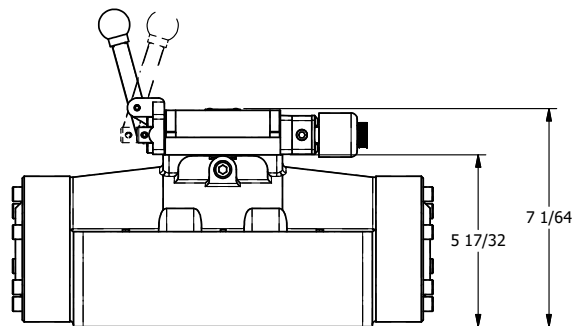
B

B



A

A



4

3

2

1

A

A



TITLE: 2" SUBPLATE, SGNL SOL, 2 POS,
SPR RTRN, EXPL PROOF,
LEVER ASST, EXCLDR, SIDE VENT

DRAWING NO.:
DIM_ESAH16PXOL

THE INFORMATION CONTAINED WITHIN THIS DOCUMENT IS PROPRIETARY TO AAA PRODUCTS AND MAY NOT BE DISCLOSED WITHOUT PRIOR WRITTEN CONSENT