

4

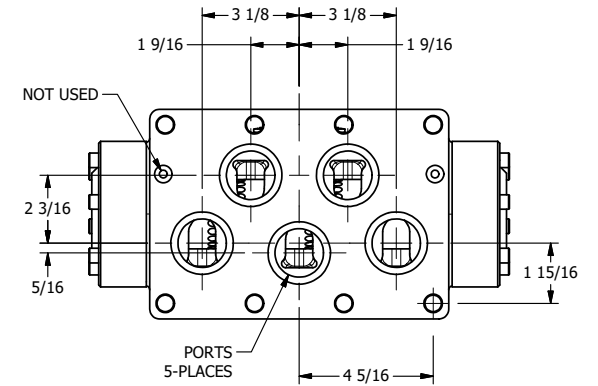
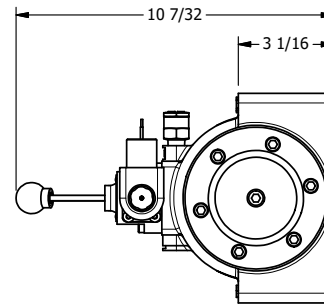
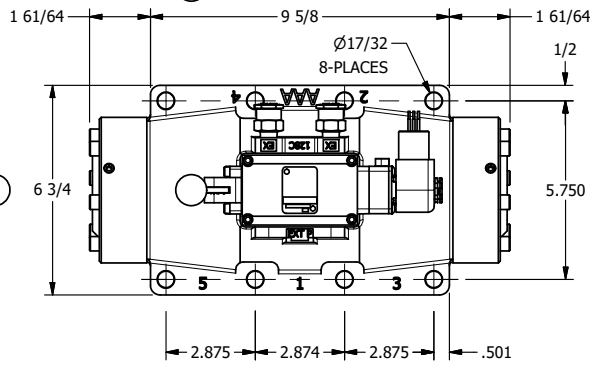
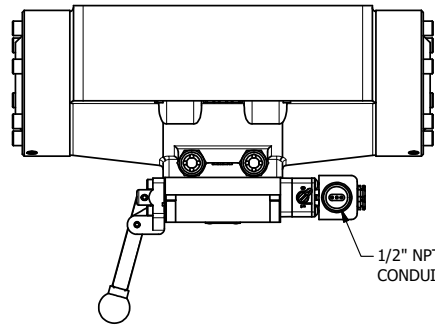
3

2

1

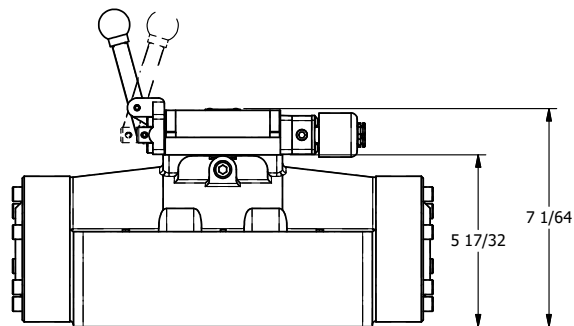
B

B



A

A



4

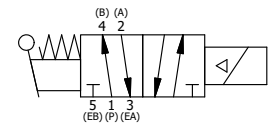
3

2

1

A

A



**AAA**  
PRODUCTS  
INTERNATIONAL

**AAA PRODUCTS  
INTERNATIONAL**  
7114 Harry Hines Blvd  
Dallas, TX 75235

TITLE: 2" SUBPLATE, SGNL SOL, 2 POS,  
SPR RTRN, EXPL PROOF,  
LEVER ASST, LCKNG OVRD, SIDE VENT

DRAWING NO.:  
DIM\_ESAH16PXOC

THE INFORMATION CONTAINED WITHIN THIS DOCUMENT IS PROPRIETARY TO AAA PRODUCTS AND MAY NOT BE DISCLOSED WITHOUT PRIOR WRITTEN CONSENT