

4

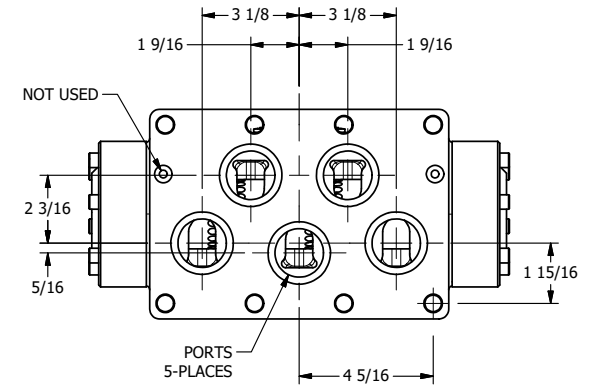
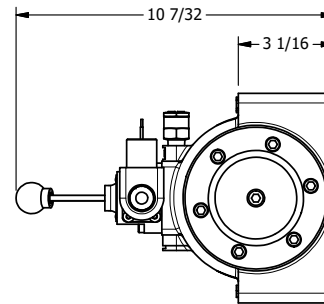
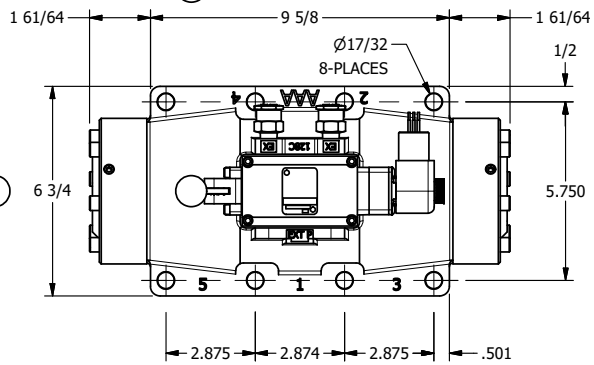
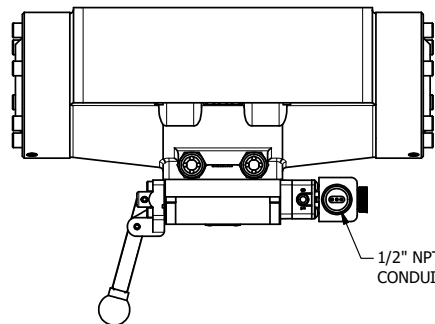
3

2

1

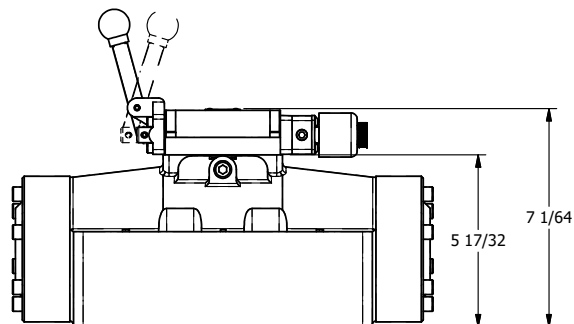
B

B



A

A



4

3

2

1

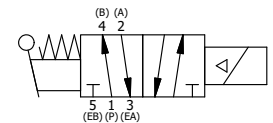
A

A



TITLE: 2" SUBPLATE, SGNL SOL, 2 POS,
SPR RTRN, EXPL PROOF,
LEVER ASSIST, EXCLDR

DRAWING NO.:
DIM_ESAH16PXL



THE INFORMATION CONTAINED WITHIN THIS DOCUMENT IS PROPRIETARY TO AAA PRODUCTS AND MAY NOT BE DISCLOSED WITHOUT PRIOR WRITTEN CONSENT