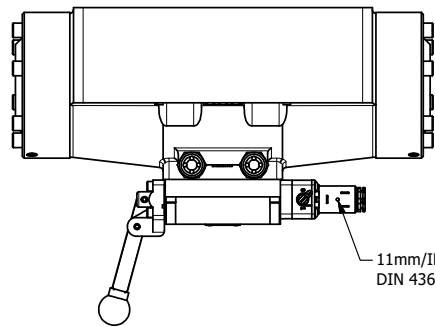


4

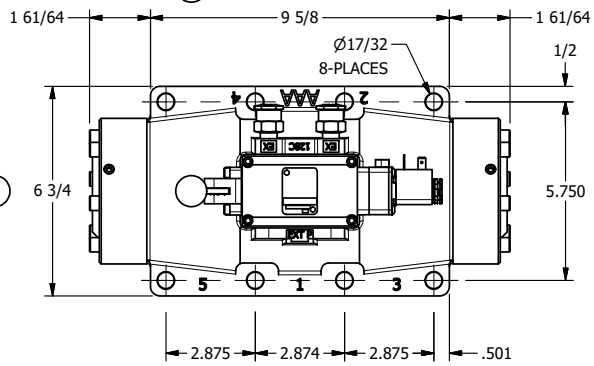
3

2

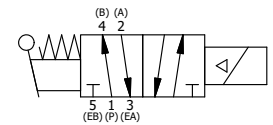
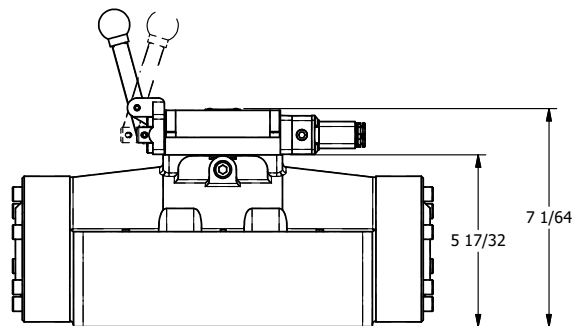
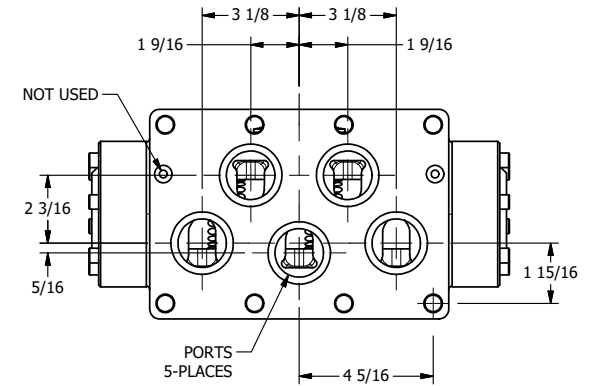
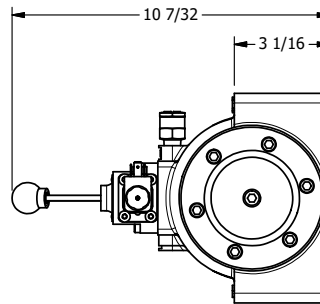
1



11mm/INDUSTRIAL TYPE B
DIN 43650 STYLE



$\phi 17/32$
8-PLACES



AAA
PRODUCTS
INTERNATIONAL

**AAA PRODUCTS
INTERNATIONAL**
7114 Harry Hines Blvd
Dallas, TX 75235

TITLE: 2" SUBPLATE, SGNL SOL, 2 POS,
SPR RTRN,
LEVER ASST, LCKNG OVRD, SIDE VENT

DRAWING NO.:
DIM_ESAH16POC

THE INFORMATION CONTAINED WITHIN THIS DOCUMENT IS PROPRIETARY TO AAA PRODUCTS AND MAY NOT BE DISCLOSED WITHOUT PRIOR WRITTEN CONSENT

4

3

2

1

B

B

A

A