

4

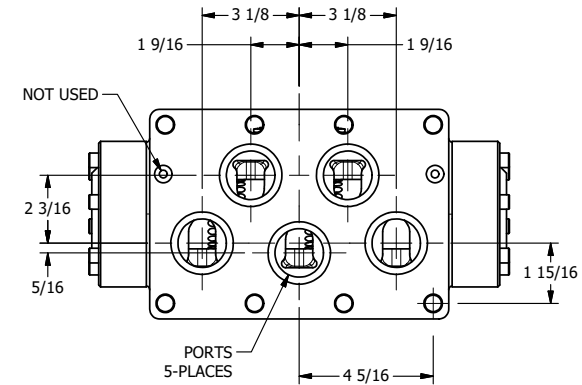
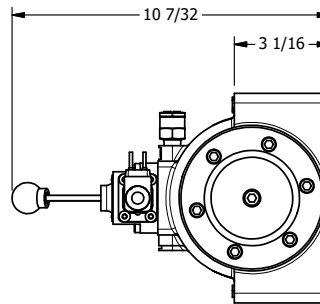
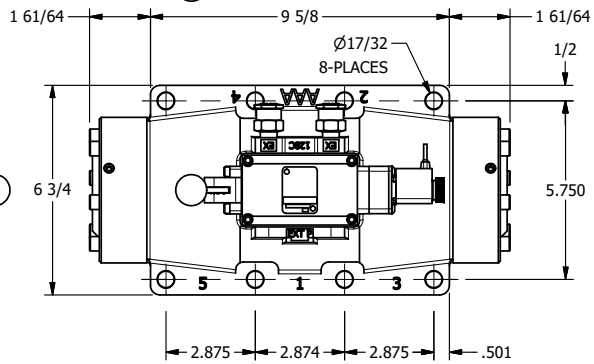
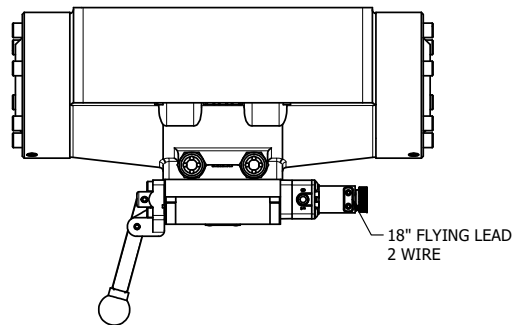
3

2

1

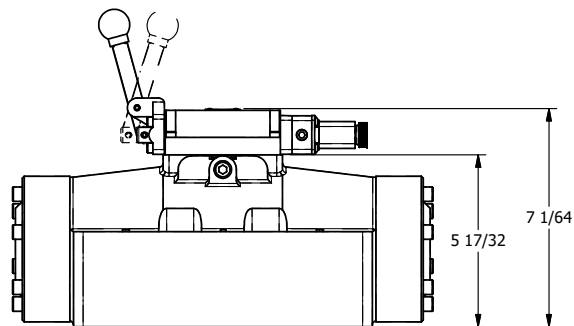
B

B



A

A



4

3

2

1

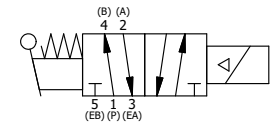
A

A



TITLE: 2" SUBPLATE, SGNL SOL, 2 POS,  
SPR RTRN, FLYING LEAD,  
LEVER ASSIST, EXCLDR

DRAWING NO.:  
DIM\_ESAH16PML



THE INFORMATION CONTAINED WITHIN THIS DOCUMENT IS PROPRIETARY TO AAA PRODUCTS AND MAY NOT BE DISCLOSED WITHOUT PRIOR WRITTEN CONSENT