

4

3

2

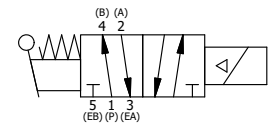
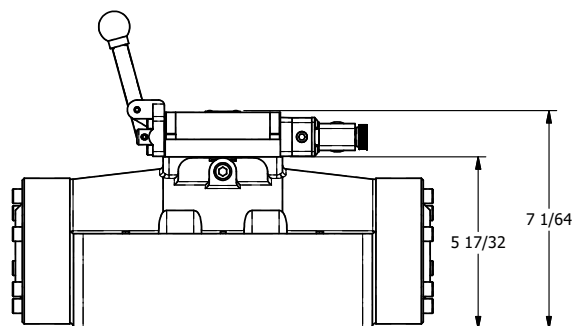
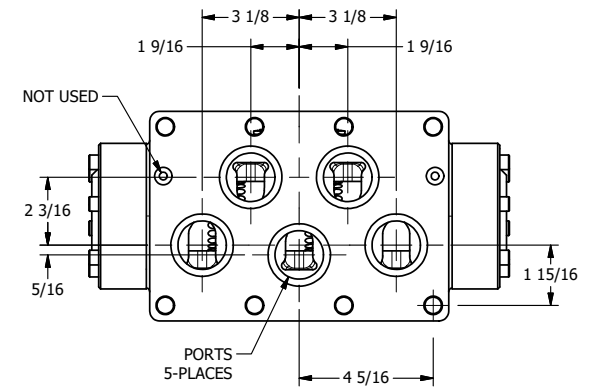
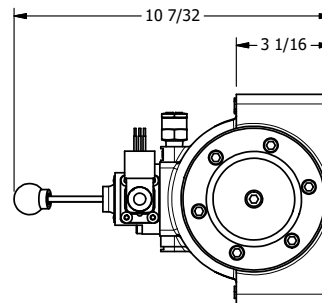
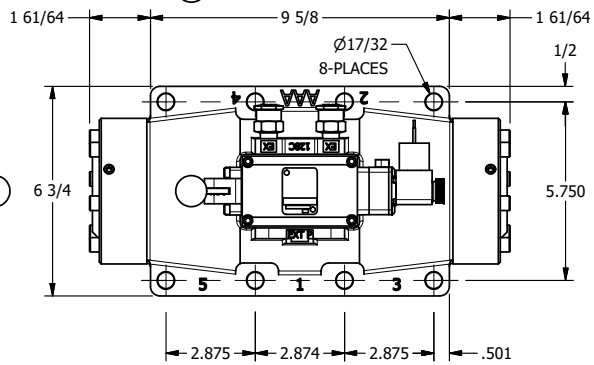
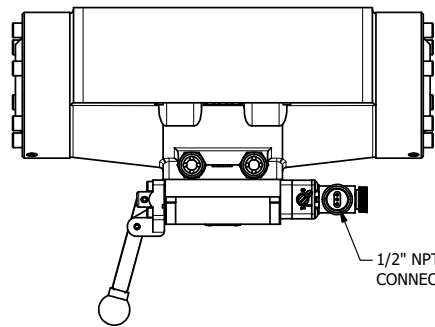
1

B

B

A

A



**AAA**  
PRODUCTS  
INTERNATIONAL

**AAA PRODUCTS  
INTERNATIONAL**  
7114 Harry Hines Blvd  
Dallas, TX 75235

TITLE: 2" SUBPLATE, SGNL SOL, 2 POS,  
SPR RTRN, MOLD-OVER, 120/60,  
LEVER ASST, EXCLDR, SIDE VENT

DRAWING NO.:  
DIM\_ESAH16PJOL

THE INFORMATION CONTAINED WITHIN THIS DOCUMENT IS PROPRIETARY TO AAA PRODUCTS AND MAY NOT BE DISCLOSED WITHOUT PRIOR WRITTEN CONSENT

4

3

2

1

