

4

3

2

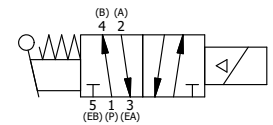
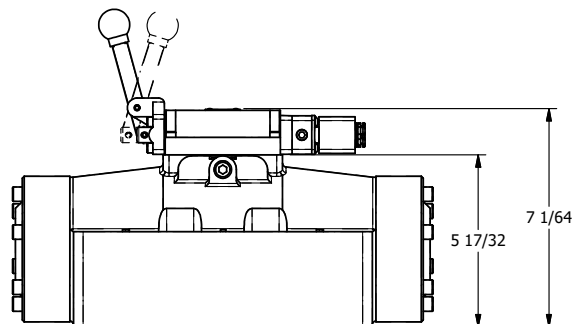
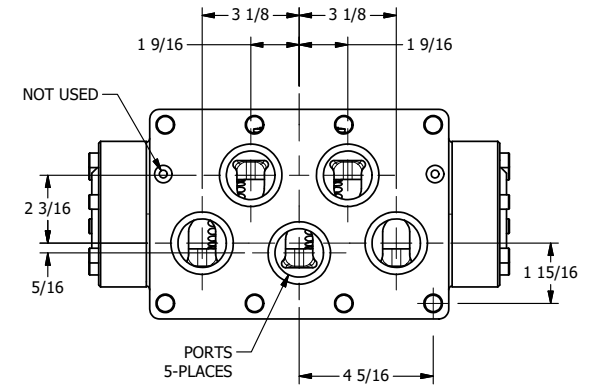
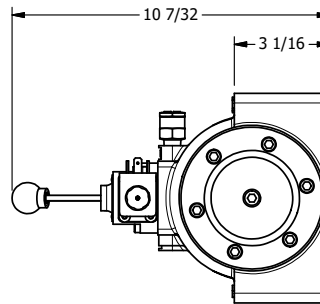
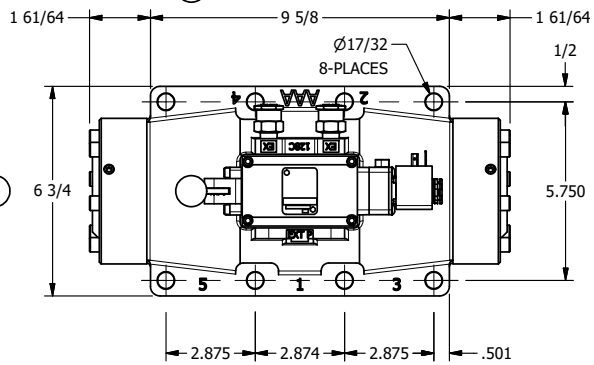
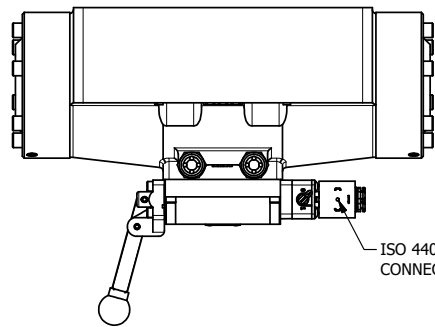
1

B

B

A

A



AAA
PRODUCTS
INTERNATIONAL

AAA PRODUCTS INTERNATIONAL
7114 Harry Hines Blvd
Dallas, TX 75235

TITLE: 2" SUBPLATE, SGNL SOL, 2 POS,
SPR RTRN, H-TMP COIL,
LEVER ASST, LCKNG OVRD, SIDE VENT

DRAWING NO.:
DIM_ESAH16PHOC

4

3

2

1



THE INFORMATION CONTAINED WITHIN THIS DOCUMENT IS PROPRIETARY TO AAA PRODUCTS AND MAY NOT BE DISCLOSED WITHOUT PRIOR WRITTEN CONSENT