

4

3

2

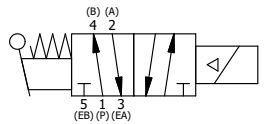
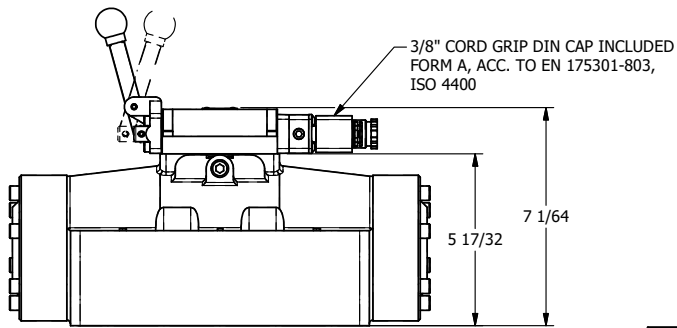
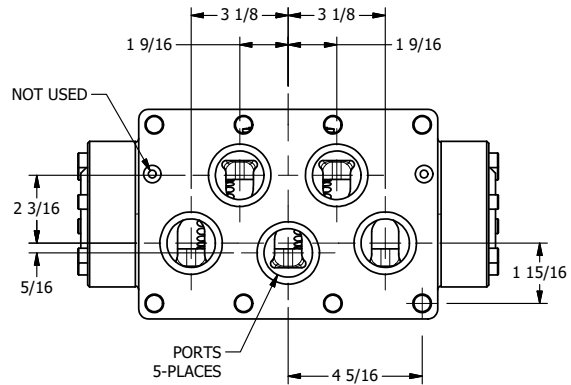
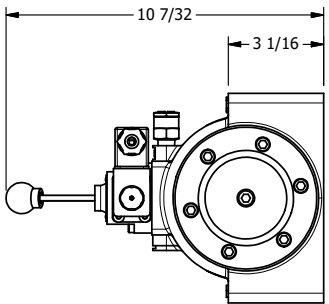
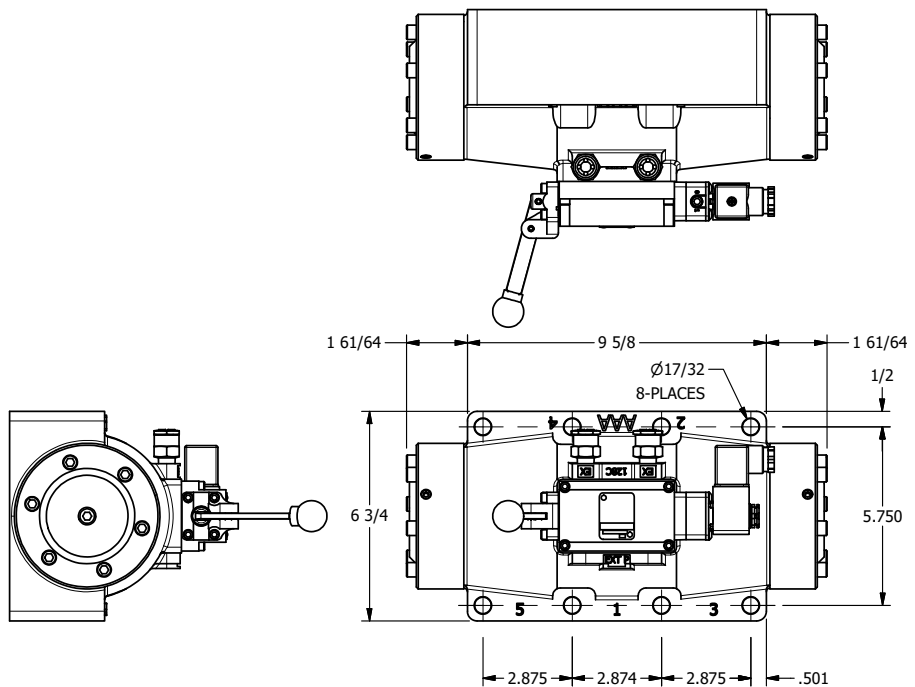
1

B

B

A

A



AAA
PRODUCTS
INTERNATIONAL

**AAA PRODUCTS
INTERNATIONAL**
7114 Harry Hines Blvd
Dallas, TX 75235

TITLE: 2" SUBPLATE, SGNL SOL, 2 POS,
SPR RTRN, INTR SAFE,
LEVER ASSIST, SIDE VENT

DRAWING NO.:
DIM_ESAH16PAC

4

3

2

1



THE INFORMATION CONTAINED WITHIN THIS DOCUMENT IS PROPRIETARY TO AAA PRODUCTS AND MAY NOT BE DISCLOSED WITHOUT PRIOR WRITTEN CONSENT