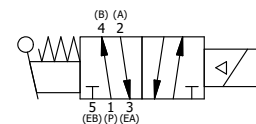
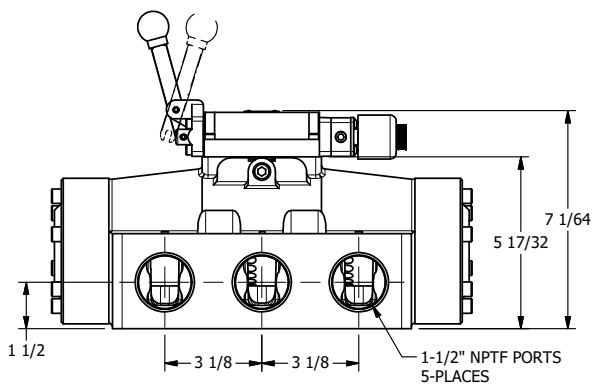
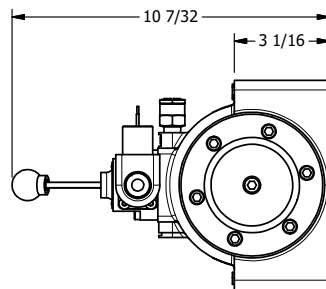
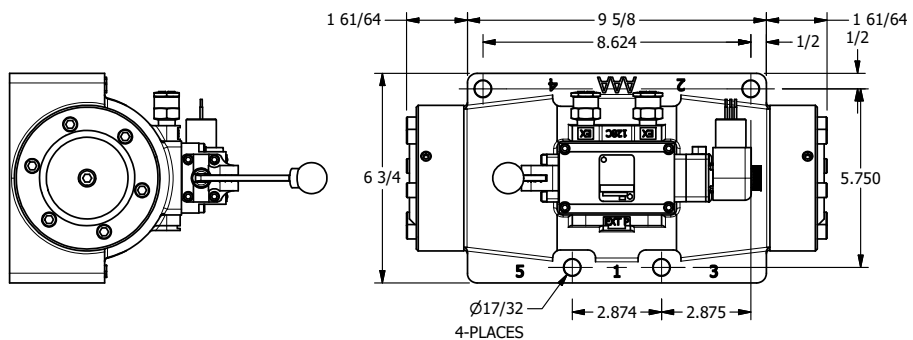
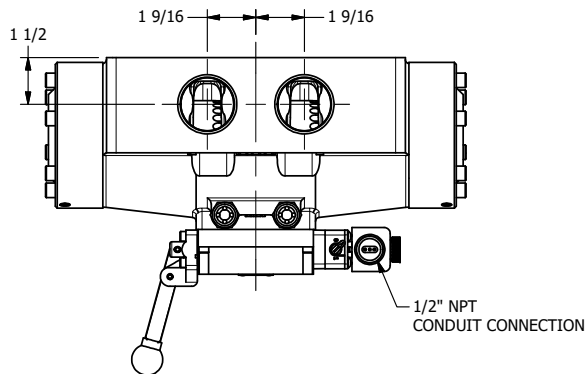


4

3

2

1



AAA
PRODUCTS
INTERNATIONAL

**AAA PRODUCTS
INTERNATIONAL**
7114 Harry Hines Blvd
Dallas, TX 75235

**1-1/2" SIDE PORT, SNGL SOL, 2 POS,
SPR RTRN, EXPL PROOF,
LEVER ASST, EXCLDR, SIDE VENT**

DRAWING NO.:
DIM_ESAH12XOL

THE INFORMATION CONTAINED WITHIN THIS DOCUMENT IS PROPRIETARY TO AAA PRODUCTS AND MAY NOT BE DISCLOSED WITHOUT PRIOR WRITTEN CONSENT

4

3

2

1

B

B

A

A