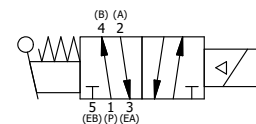
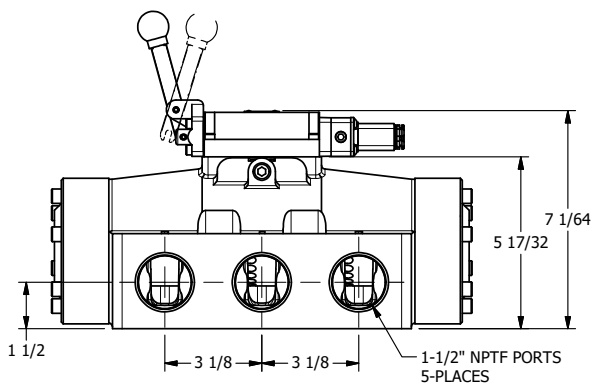
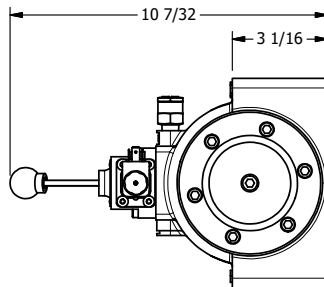
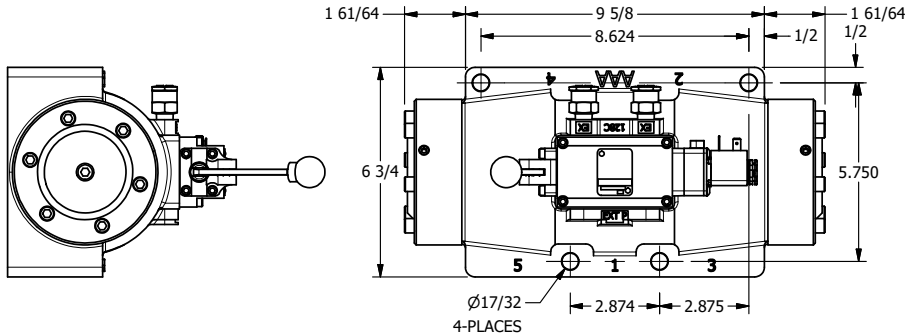
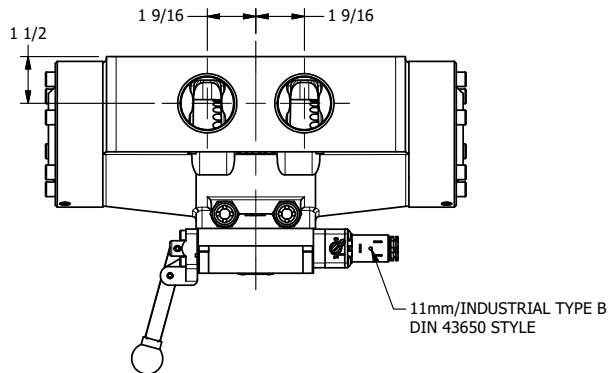


4

3

2

1



**AAA PRODUCTS  
INTERNATIONAL**  
7114 Harry Hines Blvd  
Dallas, TX 75235

**TITLE: 1-1/2" SIDE PORT, SNGL SOL, 2 POS,  
SPR RTRN,  
LEVER ASST, LCKNG OVRD, SIDE VENT**

DRAWING NO.:  
**DIM\_ESAH12OC**

THE INFORMATION CONTAINED WITHIN THIS DOCUMENT IS PROPRIETARY TO AAA PRODUCTS AND MAY NOT BE DISCLOSED WITHOUT PRIOR WRITTEN CONSENT

4

3

2

1