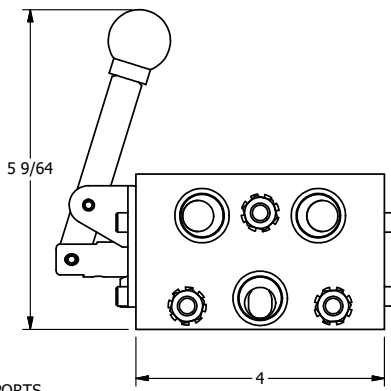
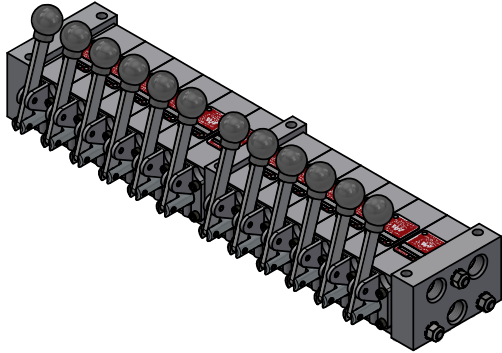


NOTES:
 1) ALWAYS GIVE VALVE MODEL AND PART NUMBER WHEN ORDERING PARTS.
 2) CUT TIE RODS TO 19 9/32.
 3) MARK PORTED PLATE WITH STACK NUMBER USING 1/4" LETTERS. (BOTH ENDS)



FLG	QTY	PART NO	DESCRIPTION
5	1	TRK-18	TIE ROD KIT - 18" LONG WITH HARDWARE, (CUT TO LENGTH), B-SERIES STACK VALVE
4	1	BEP4-3	PLATE - MID-STACK MOUNT, 1/4" & 3/8" STACK VALVE
3	12	BHD2Q	1/4" STACK, LEVER, 2 POS, DETENT, LEVER RTRN
2	1	BOS-4	SPACER - O-RING DIVIDER, 1/4" & 3/8" STACKING VALVE
1	2	PEP-4	PLATE, PORTED END, 1/2" NPTF, 1/4" & 3/8" STACK VALVE

LIMITS ON DIMENSIONS
 UNLESS OTHERWISE SPECIFIED
 2-PL DECIMAL ± .01
 3-PL DECIMAL ± .005
 FRACTIONAL ± 1/64
 ANGULAR ± 1/2°



DRAWN: RMckenna DATE: 8/4/2022 CHECKED: KWaite DATE: 8/4/2022
 SCALE: None SHEET: 1 OF 1 RELEASED: HWomack DATE: 8/4/2022

TITLE: ASSEMBLY, BHD2Q X12 STACK, PORTED BOTH ENDS, MID SUPPORT, 1/4" B-SERIES STACK	PART NO.: 865V	REV.:
--	--------------------------	-------

THE INFORMATION CONTAINED WITHIN THIS DOCUMENT IS PROPRIETARY TO AAA PRODUCTS AND MAY NOT BE DISCLOSED WITHOUT PRIOR WRITTEN CONSENT