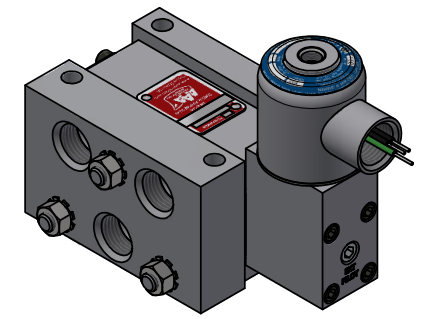
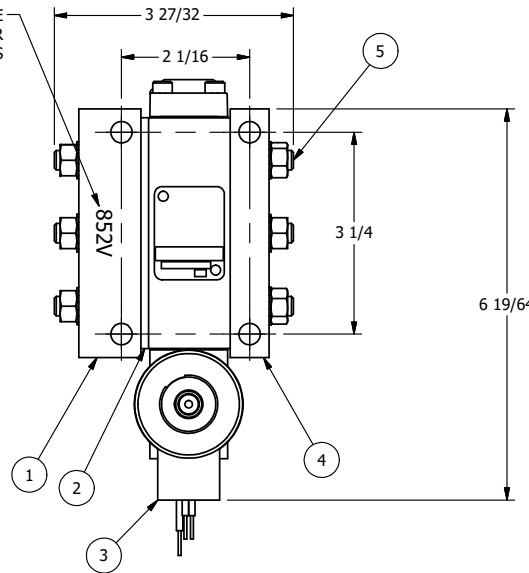


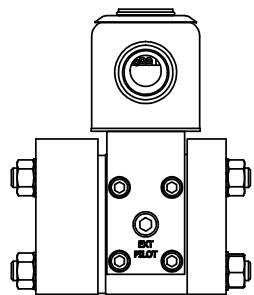
MARK PORTED PLATE WITH STACK NUMBER USING 1/4" LETTERS



- NOTES:
 1) ALWAYS GIVE VALVE MODEL AND PART NUMBER WHEN ORDERING PARTS.
 2) CUT TIE RODS TO 2 29/32.

THE FOLLOWING PARTS ARE INCLUDED WITH INDIVIDUAL VALVES, SECTIONS OR PLATES AND ARE USED TO ASSEMBLE.		
QTY	PART NO	DESCRIPTION
9	V-110	O-RING, BUNA-N, 70 DURO, AS-114, (REF 5/8 X 13/16 X 3/32), 1/4" SLEEVE, 1/2" SUB, STACK

5	1	TRK-18-SS	TIE ROD KIT - 18" LONG WITH HARDWARE, (CUT TO LENGTH), B-SERIES STACK VALVE
4	1	BEP-4	PLATE, BLIND END, 1/4" & 3/8" STACK VALVE
3	1	BSO3X	3/8" STACK, SNGL SOL, 2 POS, SPRING RTRN, EXPL PROOF, 120/60
2	1	BOS-4	SPACER - O-RING DIVIDER, 1/4" & 3/8" STACKING VALVE
1	1	PEP-4	PLATE, PORTED END, 1/2" NPTF, 1/4" & 3/8" STACK VALVE
FLG	QTY	PART NO	DESCRIPTION



LIMITS ON DIMENSIONS UNLESS OTHERWISE SPECIFIED	2-PL DECIMAL ± .01 3-PL DECIMAL ± .005 FRACTIONAL ± 1/64 ANGULAR ± 1/2°	AAA PRODUCTS INTERNATIONAL 7114 Harry Hines Blvd Dallas, TX 75235	
DRAWN: RMckenna	DATE: 6/1/2021		CHECKED: KWaite
SCALE: 1 / 2	SHEET: 1 OF 1	RELEASED: HWomack	DATE: 6/1/2021
TITLE: ASSY - 1x BSO3X 120/60, SNGL PORT, 3/8" STACK VALVE		PART NO.: 852V	REV.:

THE INFORMATION CONTAINED WITHIN THIS DOCUMENT IS PROPRIETARY TO AAA PRODUCTS AND MAY NOT BE DISCLOSED WITHOUT PRIOR WRITTEN CONSENT

P:\Engineering\Product\Valves\Assembly\Stack\Draw\852V.dwg